

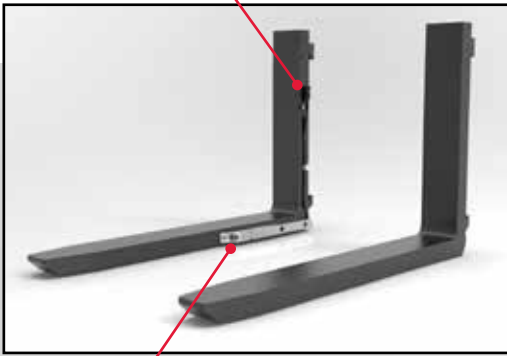
# Easy-FORK Vision Systems

## Fork mounted side camera

DESIGNED FOR ALL FORKLIFT TRUCKS

ROBUST DESIGN BOLZONI FORKS, AVAILABLE IN DIFFERENT SECTIONS AND LENGTHS

Well protected cabling inside the fork



Waterproof and shock resistant camera



### Easy-FORK Vision Systems significantly increase safety in the storage areas

The high quality fork mounted side camera is a great help to the forklift truck driver during loading, unloading and warehousing operations, in particular when moving pallets at high levels on shelves.

Thanks to the camera position, the driver can have a clear view on both forks, with a horizontal 52° viewing angle, while maintaining the correct ergonomic position on the seat.

Camera images are displayed on a 7 inch. monitor installed inside the driver cabin. The connection between camera and monitor can be wireless (standard) or through a reinforced cable and cable-reel.

Easy-FORK are factory and aftersales solutions, available in customized and adapted configurations (cable reel as option).

### Technical features



#### Camera:

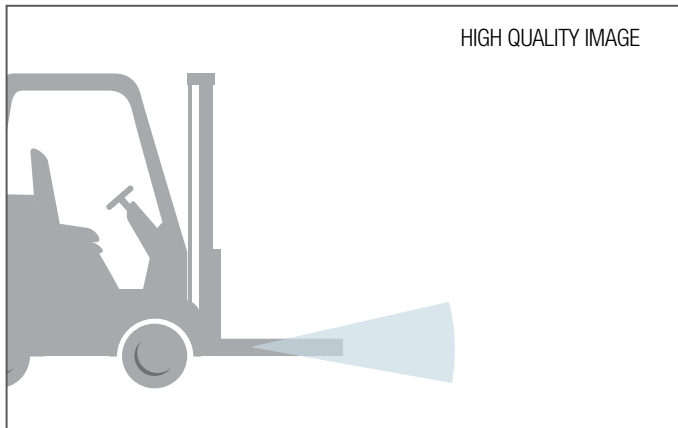
- Waterproof IP69K
- Vibration 10G & Shock 100G
- Operating temperature  
-40°C to +85°C  
-40°F to +185 F.
- Mounted on the inner side of the right fork with a 52° angle



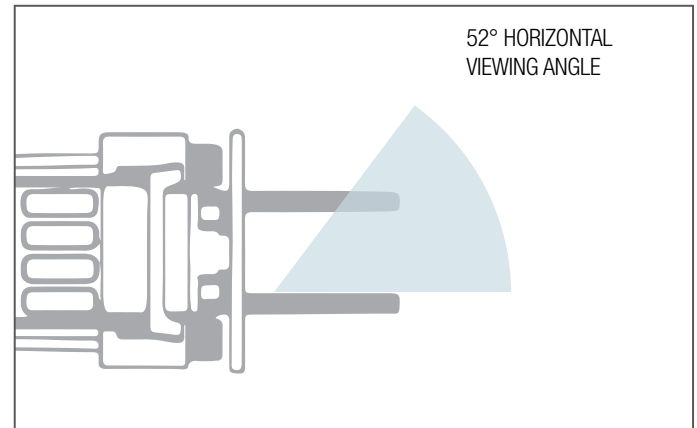
#### Monitor:

- High-resolution 7" TFT LCD screen
- 16:9 display
- Supplied with metallic support
- 5 language display selection
- Operating temperature:  
- 30°C to +70°C / 22°F to +158°F

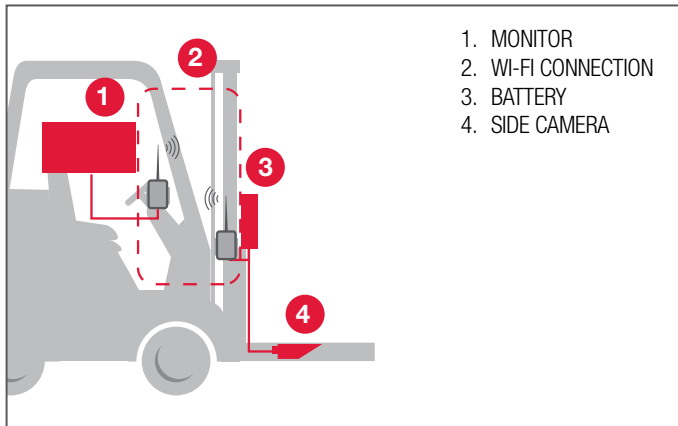
### VIEWING ANGLE



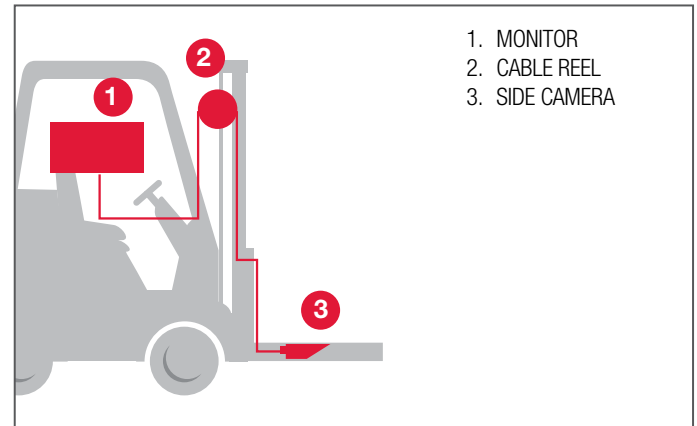
### SIDE FORK CAMERA VISIBILITY



### CONNECTION SYSTEM: WI-FI



### CONNECTION SYSTEM: CABLE REEL



The Easy-Fork Vision Systems range includes the Side fork camera, the Tip fork camera, and a modular solution to be installed on the fork carriage including Front camera and laser.

### Options:

- Cable reel for wired application (wireless system as standard)
- Digital video recorder with signal splitter.