

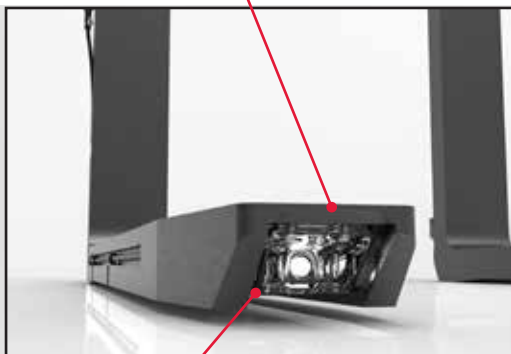
Easy-FORK Vision Systems

Fork mounted tip camera

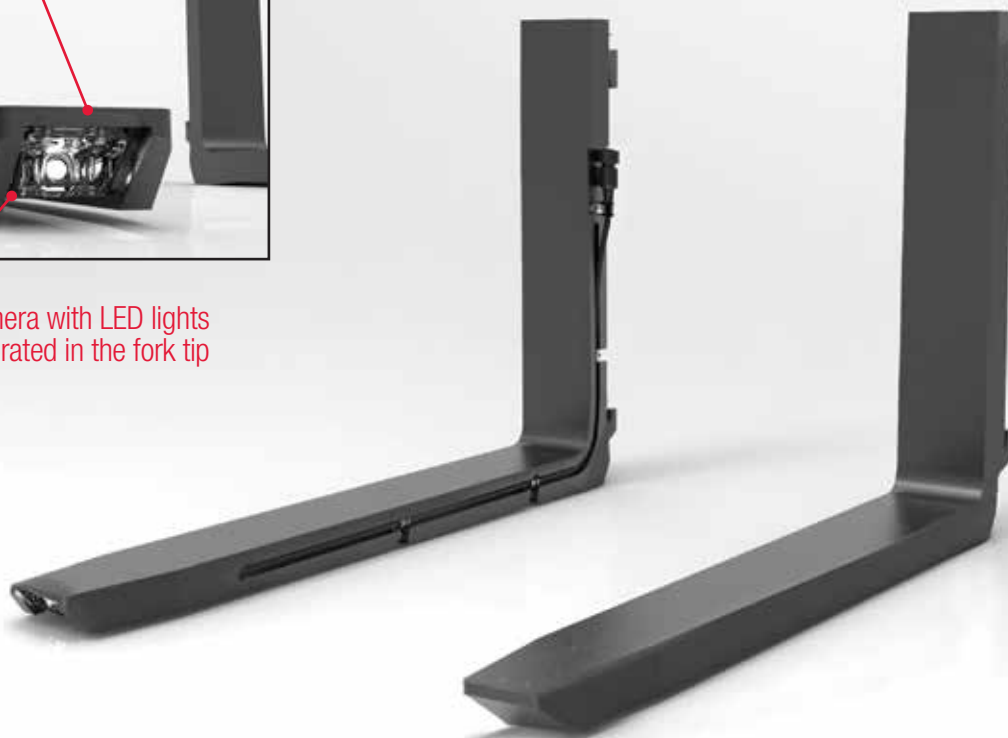
DESIGNED FOR ALL FORKLIFT TRUCKS

ROBUST DESIGN BOLZONI FORKS, AVAILABLE IN DIFFERENT SECTIONS AND LENGTHS

Unobstructed view both with and without load on the forks



High quality camera with LED lights completely integrated in the fork tip



Easy-FORK Vision Systems significantly increase safety in the storage areas

The high quality fork mounted tip camera is a great help to the forklift truck driver during loading, unloading and warehousing operations, in particular when moving pallets at high levels on shelves. This type of solution allows the complete visibility upfront even when the load is on the forks.

The robust IR camera has triple LED lights and is completely integrated in the fork tip. The connection cable remains inside the blade. Thanks to the led lights, the loading is made safe even in low light conditions. Thanks to the camera position, the driver can have a clear view on the area, with a horizontal 52° viewing angle, while maintaining the

correct ergonomic position on the seat.

Camera images are displayed on a 7 inch. monitor installed inside the driver cabin. The connection between camera and monitor can be wireless or through a reinforced cable and cable-reel.

Easy-FORK are factory and aftersales solutions, available in customized and adapted configurations (cable reels as option).

In case of standard wireless transmission, the position of battery and transmitter is on top of the fork shank in a well-protected and easy to access location.

Technical features



Camera:

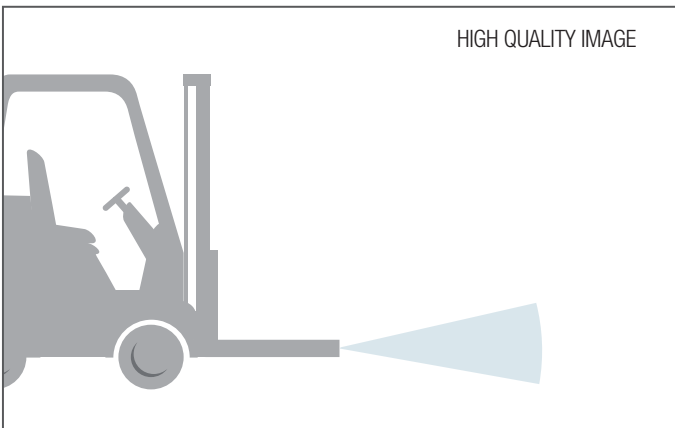
- Waterproof IP69K
- Vibration 10G & Shock 100G
- Operating temperature
-40°C to +85°C
-40°F to +185 F.
- Horizontal camera installation (0° angle of inclination).



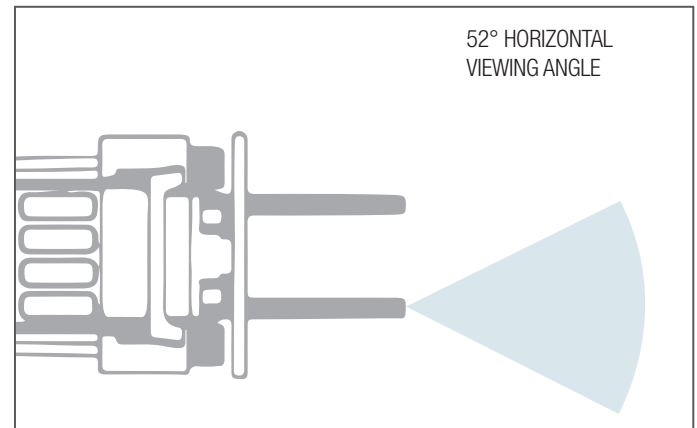
Monitor:

- High-resolution 7" TFT LCD screen
- 16:9 display
- Supplied with metallic RAM
- 5 language display selection
- Operating temperature:
-30°C to +70°C / 22°F to +158°F

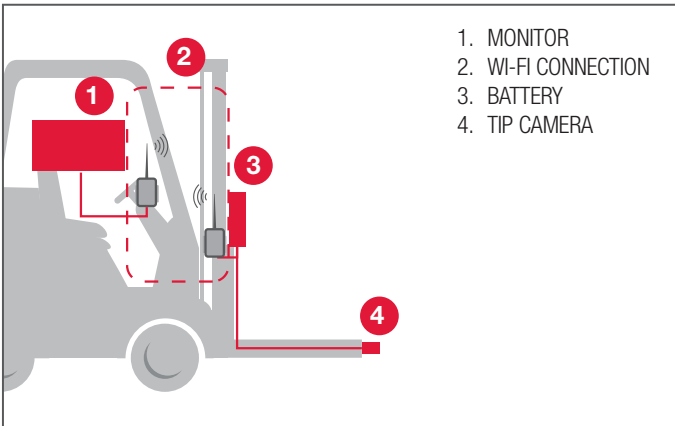
VIEWING ANGLE



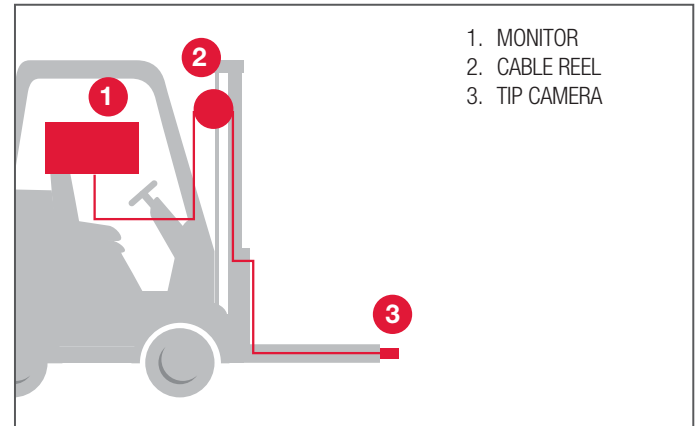
TIP FORK CAMERA VISIBILITY



CONNECTION SYSTEM: WI-FI



CONNECTION SYSTEM: CABLE REEL



The Easy-Fork Vision Systems range includes the Side fork camera, the Tip fork camera, and a modular solution to be installed on the fork carriage including Front camera and laser.

Options:

- Cable reel for wired application (wireless system as standard)
- Digital video recorder with signal splitter.