

# Force-Matic V4

## Fully Mechanical Pressure Control System



The Bolzoni Auramo Force-Matic V4, is an innovative, fully mechanical, automatic pressure control system designed specifically for clamp equipped forklifts. Force-Matic V4 is an effective system designed to prevent over-clamping when handling paper rolls and home appliances but it can also be used with other clamp models.

Force-Matic V4 optimizes clamping factor setting. The valve works as a mechanical calculator which adjusts the clamping pressure according to the load weight.

Force-Matic V4 works with two separate hydraulic circuits:

- Circuit 1 measures hydraulic pressure in the forklift mast cylinder and calculates the load weight;
- Circuit 2 regulates clamping force automatically with input from circuit 1.

These two separate hydraulic circuits provide Force-Matic V4 with a wide opening range: from low initial clamping force up to max required clamping force with high stability.

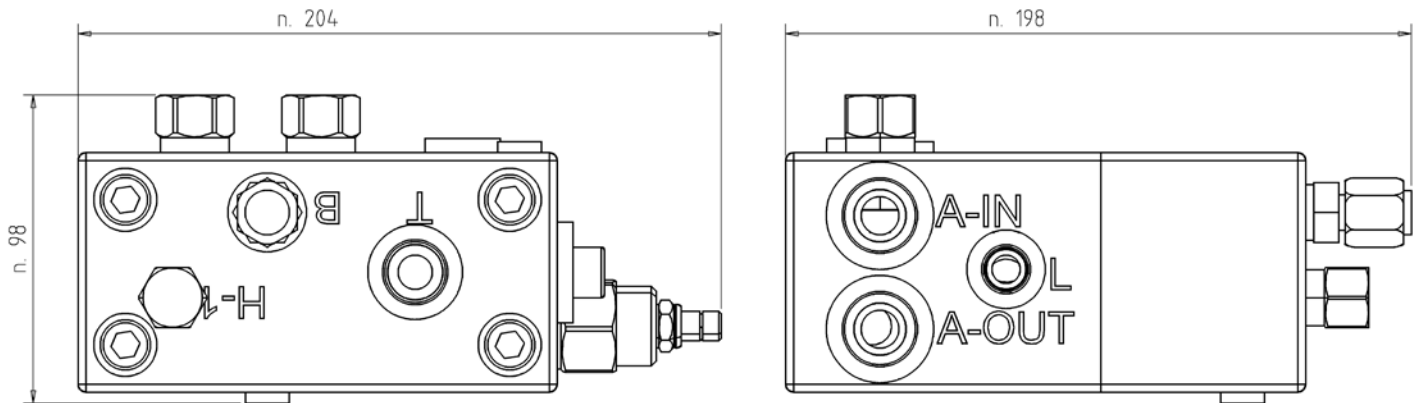
The two hydraulic circuits are mechanically connected by means of a link, mechanically adjustable to give the optimal clamping force according to the load weight.

Installation and adjustments are quite straightforward requiring only normal tools.

Clamp fitted with Force-Matic V4 assures damage-free handling and operator-friendly use while operating in the same way as any traditional clamp.

Force-Matic V4 can be installed on Bolzoni Auramo clamps - contact Bolzoni Auramo for information.





### Features

- Effective pressure control device.
- Load damage prevented by adjusting the clamping pressure according to the load weight.
- Fully mechanical, no electrical connections required.
- Heavy duty aluminum construction.
- Built-around standard hydraulic components for easy service.
- Wide adjustability range for use on to most truck-clamp combinations.
- High operating speed.
- Easy installation.
- Low maintenance.

### Options:

Electric by-pass valve.

When activated this valve, disables the Force-Matic V4 and puts the clamp in manual mode.



79001239US - 1114