

Paper Roll Clamps

Models AMC-F / AMC-P



The Bolzoni Auramo AMC-F / AMC-P paper roll clamp models are designed for vertical and horizontal handling of single paper rolls. The AMC-F version has a pivoting long arm and a fixed short arm. Thin arm design enables easy tight handling in confined spaces. The AMC-P version is fitted with a pivoting long arm and adjustable short arm. The short arm is positioned hydraulically for handling smaller roll diameters and is actuated when the clamp is rotated to a 45-degree rotation angle.

The well-proven 360-degree rotation unit provides fast and high-torque rotation. The completely closed primary gear unit is working in an oil bath and the secondary drive is grease lubricated.

The simple but robust design makes the clamp easy to service and maintain. Arm pivot pins have bronze bearings and grease nipples. A pressure measurement point and check valve are mounted to the base of the clamping cylinder. A relief valve for clamping pressure is also included as standard.

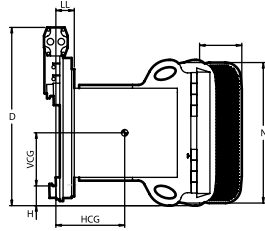
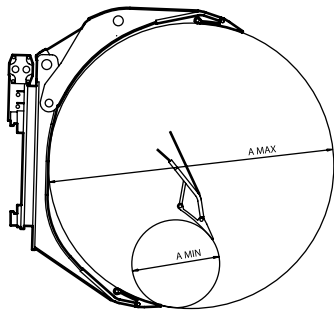
A wide selection of different contact pad friction surfaces make it easy to adapt the clamp for use with varying paper grades.



Paper Roll Clamps, 360-degree Rotation

Models AMC-F / AMC-P

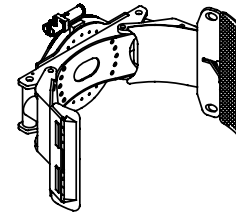
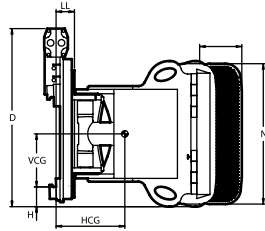
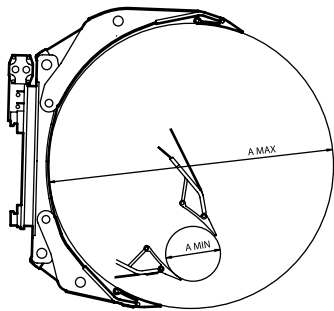
AMC-F



Range: 2,900 - 4,600 Lbs.

- 360-degree rotating paper roll clamp for vertical and horizontal handling of single rolls.
- Pivoting long arm movement.
- Models AMC-F: Fixed short arm.
- Models AMC-P: Hydraulically positionable short arm with wider roll diameter range.
- Several contact pad options in standard series.
- Mounting angle 1,5°.

AMC-P



| Model | Capacity Lbs. | Load Center | Roll Range | Height | Weight Lbs. | Horizontal Center of Gravity | Vertical Center of Gravity | Effective Thickness | Contact Pads | Contact Pad Gap | Mounting Height | Mounting Class |
|-------------------------|---------------|-------------|------------|--------|-------------|------------------------------|----------------------------|---------------------|--------------|-----------------|-----------------|----------------|
| | Q | BP | A | D | W | HCG | VCG | LL | M x N | O | H | |
| Fixed short arm | | | | | | | | | | | | |
| AMC-29-1245-F | 3,100 | 22.5" | 12" - 45" | 30.7" | 770 | 9.1" | 10.4" | 5.7" | 8.0" - 26.8" | - | 4.3" | II |
| AMC-29-1651-F | 2,900 | 25.5" | 16" - 51" | 30.7" | 810 | 9.6" | 10.4" | 5.7" | 8.0" - 26.8" | - | 4.3" | II |
| AMC-40-1651-F-II | 4,000 | 25.5" | 16" - 51" | 30.7" | 970 | 10.0" | 10.4" | 6.3" | 8.0" - 26.8" | - | 4.3" | II |
| AMC-40-1651-F-III | 4,000 | 25.5" | 16" - 51" | 30.7" | 1,020 | 10.6" | 12.0" | 7.5" | 8.0" - 26.8" | - | 2.6" | III |
| AMC-46-2253-F-II | 4,600 | 26.5" | 22" - 53" | 30.7" | 1,020 | 11.4" | 10.4" | 6.8" | 8.0" - 26.8" | - | 4.3" | II |
| AMC-46-2253-F-III | 4,600 | 26.5" | 22" - 53" | 30.7" | 1,080 | 12.6" | 12.0" | 8.0" | 8.0" - 26.8" | - | 2.6" | III |
| Mobile short arm | | | | | | | | | | | | |
| AMC-29-1651-P | 2,900 | 25.5" | 10" - 51" | 30.7" | 930 | 9.6" | 10.4" | 5.7" | 8.0" - 26.8" | - | 4.3" | II |
| AMC-40-1651-P-II | 4,000 | 25.5" | 10" - 51" | 30.7" | 1,080 | 10.0" | 10.4" | 6.3" | 8.0" - 26.8" | - | 4.3" | II |
| AMC-40-1651-P-III | 4,000 | 25.5" | 10" - 51" | 30.7" | 1,130 | 10.6" | 12.0" | 7.5" | 8.0" - 26.8" | - | 2.6" | III |
| AMC-46-2253-P-II | 4,600 | 26.5" | 15" - 53" | 30.7" | 1,160 | 10.6" | 10.4" | 6.8" | 8.0" - 26.8" | - | 4.3" | II |
| AMC-46-2253-P-III | 4,600 | 26.5" | 15" - 53" | 30.7" | 1,210 | 11.2" | 12.0" | 8.0" | 8.0" - 26.8" | - | 2.6" | III |

Notes:

- Two hydraulic functions.
- See hydraulic pressure and flow rate recommendations.
- Standard contact pads: Cast pad with high-friction surface.

Options:

- Special roll ranges, for Models AMC-P only.
- Contact pad options:
 - steel-sprayed
 - rubber faced
 - polyurethane faced.



BOLZONI AURAMO CANADA LTD.
 90C BRUNSWICK BLVD DOLLARD-DES-ORMEAUX,
 QUEBEC
 H9B 2C5 CANADA
 Tel. 800-685-7871 - Fax 514-685-5238

www.bolzonigroup.com

BOLZONI AURAMO CANADA LTD.
 889 PANTERA DRIVE UNIT #6 MISSISSAUGA
 ONTARIO
 L4W 2R9 CANADA
 Tel. 800-685-7871

sales.ca@bolzoni-auramo.com

