

# Swing Frame Paper Roll Clamp

## Models AMCS 77-90



The new Bolzoni Auramo swing frame paper roll clamp range has been designed and developed starting from our long experience on rotating paper roll clamps. The swing movement grants an effective and optimized roll handling also in confined spaces. The swing frame function is able to produce a smooth movement  $\pm 5$ -degrees left and right, in order to give exact position to the paper roll.

Equipped with a single-stage rotation unit, with robust and well-proven 360-degree rotation, this paper roll clamp has

a heavy-duty clamp body and arm design, with built-in swing frame.

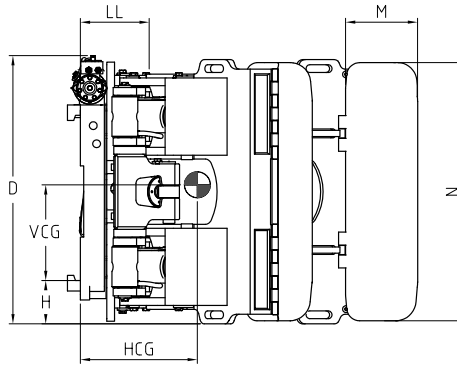
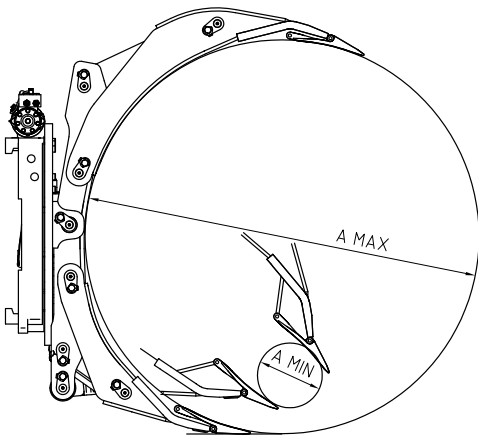
The range has now two basic capacity classes, which are available with standard roll ranges.

Special opening ranges are available on request.

AMCS-77: Capacity 7,700 lbs @ 30" load center.

AMCS-90: Capacity 9,000 lbs @ 30" load center.





**Range:** 6,400 - 9,000 Lbs.

- Heavy-duty clamp body and arm design, including built-in swing frame – effective and optimized roll handling also in confined spaces.
- Slim and thin arms, with smooth finish prevent roll damage.
- Well-proven 360 degree single-stage rotation unit.
- Robust, swing frame function with smooth movement +- 5 degrees left and right to give exact position of paper roll.
- Wide range of contact pads options is available.
- Minimized weight, ET and HCG for high residual capacity.

Model	Capacity Lbs @30°	Load Center	Roll Range	Height	Weight Lbs.	Horizontal Center of Gravity	Vertical Center of Gravity	Effective Thickness	Contact Pads	Mounting Height	Mounting Class
	Q	BP	A	D	W	HCG	VCG	LL	M x N	D1	P
<b>Single roll, 360 degree rotating swing frame clamps - Unsplit long arm</b>											
AMCS-77-1060-P	7,700	30.0"	10"-60"	40.9"	2,980	13.4"	14.0"	9.4"	11.0"x39.4"	6.6"	IV
AMCS-77-1072-P	6,000	36.0"	10"-72"	40.9"	3,130	15.0"	14.0"	9.4"	11.0"x39.4"	6.6"	IV
<b>Single roll, 360 degree rotating swing frame clamps - Unsplit long arm</b>											
AMCS-90-1060-P	9,000	30.0"	10"-60"	40.9"	3,110	13.6"	14.0"	10.2"	11.0"x39.4"	6.6"	IV
AMCS-90-1072-P	7,500	36.0"	14"-72"	40.9"	3,240	15.2"	14.0"	10.2"	11.0"x39.4"	6.6"	IV

### Notes:

- Three hydraulic functions required.
- Optional solenoid valve group is available on request.
- Standard contact pads: cast with high-friction surface.
- All models with hydraulically positionable short arm.
- Short arm: adjustable at 45° rotation.
- Adjustable pressure relief valve.

### Options:

- Special roll ranges.
- Fixed, non-moving, short arm.
- Split long arm.
- Contact pad options:
  - steel-sprayed
  - rubber faced
  - polyurethane faced
  - other contact pad friction surfaces.

