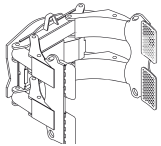
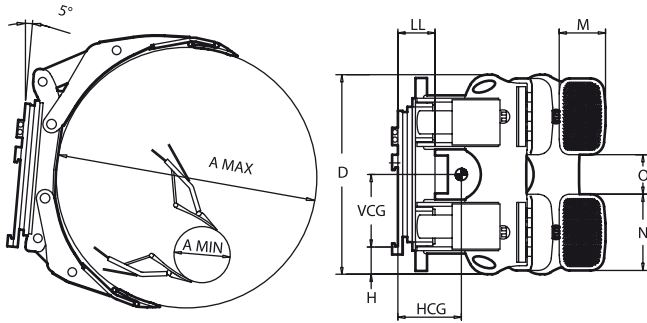


# Paper Roll Clamps, 180-degree Rotation

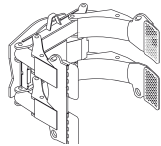
## Models ARC-130

**Range:** 11,500 - 14,300 Lbs.

- 180-degree rotation. Hydraulic cushioning in the vertical end positions.
- Rotating paper roll clamp for safe and effective vertical and horizontal roll handling.
- Slim and smooth arm and frame design, optimal visibility and advanced hydraulic operation.
- Pivoting arm movement. Short and long arms. Non-split long arm for single roll handling. Split arm for 1 - 2 roll handling.
- All hydraulic functions protected with built-in pressure relief valves and check valves. All service and maintenance points easily available.



Unsplit long arm



Split long arm

Model	Capacity Lbs.	Load Center	Roll Range	Height	Weight Lbs.	Horizontal Center of Gravity	Vertical Center of Gravity	Effective Thickness	Contact Pads	Contact Pad Gap	Mounting Height	Mounting Class
	Q	BP	A	D	W	HCG	VCG	LL	M x N	O	H	
<b>Single roll clamps - Unsplit long arm</b>												
ARC-130-2051-P	14,300	25.5"	20"-51"	52.8"	3,330	11.8"	20.5"	9.6"	11.0"x19.7"	11.8"	5.9"	IV
ARC-130-2055-P	14,100	27.5"	20"-55"	52.8"	3,350	12.2"	20.5"	9.6"	11.0"x19.7"	11.8"	5.9"	IV
ARC-130-2060-P	13,900	30.0"	20"-60"	52.8"	3,410	12.6"	20.5"	9.6"	11.0"x19.7"	11.8"	5.9"	IV
ARC-130-2063-P	13,200	31.5"	20"-63"	52.8"	3,440	13.0"	20.5"	9.6"	11.0"x19.7"	11.8"	5.9"	IV
ARC-130-2472-P	11,500	36.0"	24"-72"	52.8"	3,570	14.2"	20.5"	9.6"	11.0"x19.7"	11.8"	5.9"	IV
<b>1 - 2 roll clamps - Split long arm</b>												
ARC-130-2051-PS	14,300	25.5"	20"-51"	52.8"	3,290	11.4"	20.5"	9.6"	11.0"x19.7"	11.8"	5.9"	IV
ARC-130-2055-PS	14,100	27.5"	20"-55"	52.8"	3,310	11.8"	20.5"	9.6"	11.0"x19.7"	11.8"	5.9"	IV
ARC-130-2060-PS	13,900	30.0"	20"-60"	52.8"	3,380	12.2"	20.5"	9.6"	11.0"x19.7"	11.8"	5.9"	IV
ARC-130-2063-PS	13,200	31.5"	20"-63"	52.8"	3,400	12.6"	20.5"	9.6"	11.0"x19.7"	11.8"	5.9"	IV
ARC-130-2472-PS	11,500	36.0"	24"-72"	52.8"	3,540	13.8"	20.5"	9.6"	11.0"x19.7"	11.8"	5.9"	IV

### Notes:

- All models with hydraulically positionable short arm.
- Two hydraulic functions required.
- See hydraulic specifications page for pressure and flow rate recommendations.
- Standard contact pads: cast pad with high-friction surface.
- Minimum 5-degree forward tilt on lift mast is required for horizontal handling.
- For 0-degree tilt, special arms are available. Consult Bolzoni.

### Options:

- Special roll ranges.
- Fixed (non-moving) short arm.
- Contact pad options:
  - steel-sprayed
  - rubber faced
  - polyurethane faced.

