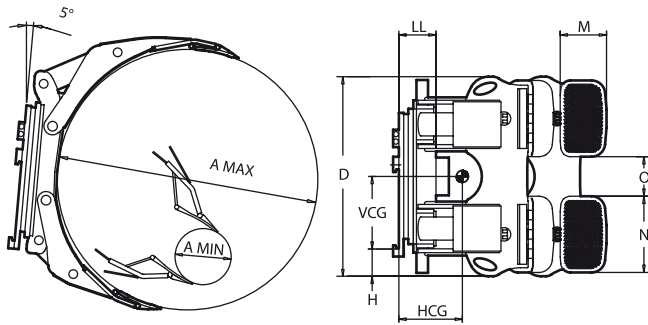


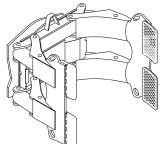
Paper Roll Clamps, 180-degree Rotation

Models ARC-60

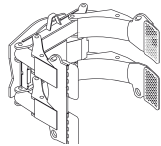


Range: 6,600 - 4,700 Lbs.

- 180-degree rotation. Hydraulic cushioning in the vertical end positions.
- Rotating paper roll clamp for safe and effective vertical and horizontal roll handling.
- Slim and smooth arm and frame design, optimal visibility and advanced hydraulic operation.
- Pivoting arm movement. Short and long arms. Non-split long arm for single roll handling. Split arm for 1 - 2 roll handling.
- All hydraulic functions protected with built-in pressure relief valves and check valves. All service and maintenance points easily available.



Unsplit long arm



Split long arm

Model	Capacity Lbs.	Load Center	Roll Range	Height	Weight Lbs.	Horizontal Center of Gravity	Vertical Center of Gravity	Effective Thickness	Contact Pads	Contact Pad Gap	Mounting Height	Mounting Class
	<i>Q</i>	<i>BP</i>	<i>A</i>	<i>D</i>	<i>W</i>	<i>HCG</i>	<i>VCG</i>	<i>LL</i>	<i>M x N</i>	<i>O</i>	<i>H</i>	
Single roll clamps - Unsplit long arm												
ARC-60-1051-P	6,600	25.5"	10"-51"	40.7"	1,670	10.0"	14.2"	7.5"	9.4"x15.7"	7.9"	6.3"	II/III
ARC-60-1055-P	6,200	27.5"	10"-55"	40.7"	1,720	10.8"	14.2"	7.5"	9.4"x15.7"	7.9"	6.3"	II/III
ARC-60-1160-P	5,900	30.0"	11"-60"	40.7"	1,770	11.6"	14.2"	7.5"	9.4"x15.7"	7.9"	6.3"	II/III
ARC-60-1163-P	5,500	31.5"	11"-63"	40.7"	1,800	12.0"	14.2"	7.5"	9.4"x15.7"	7.9"	6.3"	II/III
ARC-60-1672-P	4,700	36.0"	16"-72"	40.7"	1,890	13.8"	14.2"	7.9"	9.4"x15.7"	7.9"	6.3"	II/III
1 - 2 roll clamps - Split long arm												
ARC-60-1051-PS	6,600	25.5"	10"-51"	40.7"	1,650	9.9"	14.2"	7.5"	9.4"x15.7"	7.9"	6.3"	II/III
ARC-60-1055-PS	6,200	27.5"	10"-55"	40.7"	1,710	10.4"	14.2"	7.5"	9.4"x15.7"	7.9"	6.3"	II/III
ARC-60-1160-PS	5,900	30.0"	11"-60"	40.7"	1,750	11.0"	14.2"	7.5"	9.4"x15.7"	7.9"	6.3"	II/III
ARC-60-1163-PS	5,500	31.5"	11"-63"	40.7"	1,770	11.3"	14.2"	7.5"	9.4"x15.7"	7.9"	6.3"	II/III
ARC-60-1672-PS	4,700	36.0"	16"-72"	40.7"	1,870	12.7"	14.2"	7.9"	9.4"x15.7"	7.9"	6.3"	II/III

Notes:

- All models with hydraulically positionable short arm.
- Two hydraulic functions required.
- See hydraulic specifications page for pressure and flow rate recommendations.
- Standard contact pads: cast pad with high-friction surface.
- Minimum 5-degree forward tilt on lift mast is required for horizontal handling.
- For 0-degree tilt, special arms are available. Consult Bolzoni.

Options:

- Special roll ranges.
- Arm height D= 32.7"
- Fixed (non-moving) short arm.
- Contact pad options:
 - steel-sprayed
 - rubber faced
 - polyurethane faced
 - full length contact pads.

