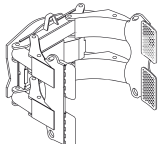
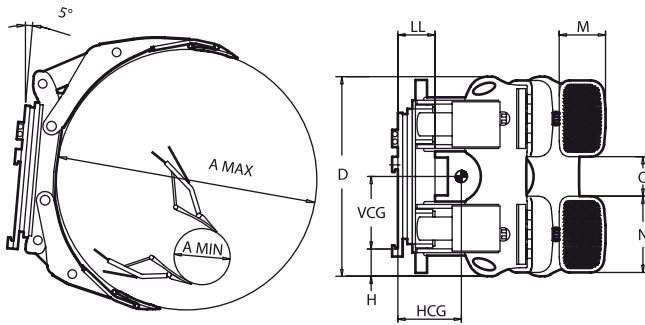
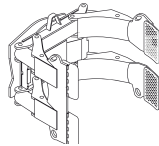


Range: 7,000 - 9,800 Lbs.

- 180-degree rotation. Hydraulic cushioning in the vertical end positions.
- Rotating paper roll clamp for safe and effective vertical and horizontal roll handling.
- Slim and smooth arm and frame design, optimal visibility and advanced hydraulic operation.
- Pivoting arm movement. Short and long arms. Non-split long arm for single roll handling. Split arm for 1 - 2 roll handling.
- All hydraulic functions protected with built-in pressure relief valves and check valves. All service and maintenance points easily available.



Unsplit long arm



Split long arm

Model	Capacity Lbs.	Load Center	Roll Range	Height	Weight Lbs.	Horizontal Center of Gravity	Vertical Center of Gravity	Effective Thickness	Contact Pads	Contact Pad Gap	Mounting Height	Mounting Class
	Q	BP	A	D	W	HCG	VCG	LL	M x N	O	H	
Single roll clamps - Unsplit long arm												
ARC-84-1051-P	9,800	25.5"	10"-51"	40.9"	2,400	11.0"	15.9"	8.3"	11.0"x15.7"	7.9"	4.1"	III / IV
ARC-84-1055-P	9,100	27.5"	10"-55"	40.9"	2,440	11.4"	15.9"	8.3"	11.0"x15.7"	7.9"	4.1"	III / IV
ARC-84-1060-P	8,400	30.0"	10"-60"	40.9"	2,490	12.2"	15.9"	8.3"	11.0"x15.7"	7.9"	4.1"	III / IV
ARC-84-1063-P	8,000	31.5"	10"-63"	40.9"	2,530	12.6"	15.9"	8.3"	11.0"x15.7"	7.9"	4.1"	III / IV
ARC-84-1472-P	7,000	36.0"	14"-72"	40.9"	2,620	13.8"	15.9"	8.3"	11.0"x15.7"	7.9"	4.1"	III / IV
1 - 2 roll clamps - Split long arm												
ARC-84-1051-PS	9,800	25.5"	10"-51"	40.9"	2,370	10.6"	15.9"	8.3"	11.0"x15.7"	7.9"	4.1"	III / IV
ARC-84-1055-PS	9,100	27.5"	10"-55"	40.9"	2,410	11.0"	15.9"	8.3"	11.0"x15.7"	7.9"	4.1"	III / IV
ARC-84-1060-PS	8,400	30.0"	10"-60"	40.9"	2,460	11.8"	15.9"	8.3"	11.0"x15.7"	7.9"	4.1"	III / IV
ARC-84-1063-PS	8,000	31.5"	10"-63"	40.9"	2,500	12.2"	15.9"	8.3"	11.0"x15.7"	7.9"	4.1"	III / IV
ARC-84-1472-PS	7,000	36.0"	14"-72"	40.9"	2,590	13.4"	15.9"	8.3"	11.0"x15.7"	7.9"	4.1"	III / IV

Notes:

- All models with hydraulically positionable short arm.
- Two hydraulic functions required.
- See hydraulic specifications page for pressure and flow rate recommendations.
- Standard contact pads: cast pad with high-friction surface.
- Minimum 5-degree forward tilt on lift mast is required for horizontal handling.
- For 0-degree tilt, special arms are available. Consult Bolzoni.

Options:

- Special roll ranges.
- Arm height D= 48.6"
- Fixed (non-moving) short arm.
- Contact pad options:
 - steel-sprayed
 - rubber faced
 - polyurethane faced
 - full length contact pads.

