

# Waste Paper Bale Clamps

## Models B-400W



The Bolzoni Auramo series B-400W waste paper bale clamps are designed for heavy-duty waste paper bale handling.

The B series are designed for use on both forklifts and wheel loaders. Extremely thin and light design for high residual capacity and with optimal visibility.

High lifting capacity and wide choice of different openings and arm lengths enable efficient handling of all sizes of waste paper bale units.

Thin arm design makes tight bale stacking and knifing between bales easy. Fixed bale arms secure handling even with varying bale dimensions. Wear strips placed in the lower part of the frame and the arms.

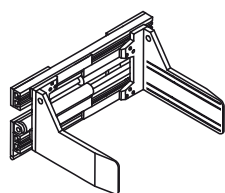
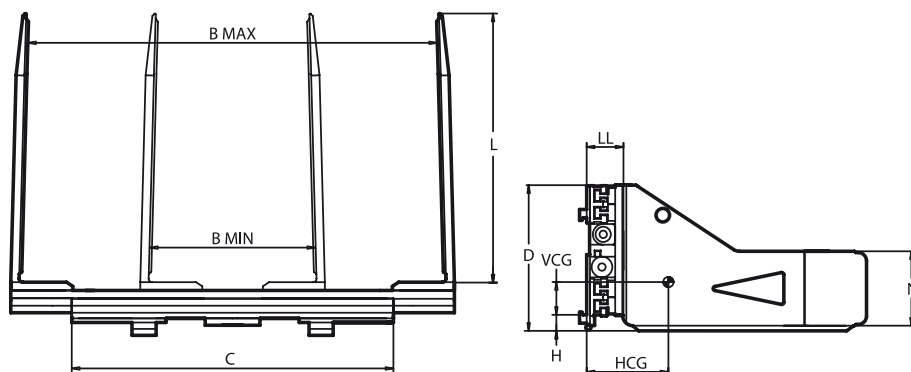
The clamp frame is made of aluminium profiles. The special steel T-profile arm carriers make the clamp extremely strong and rigid. Arm carrier bearings are easily replaceable and require a minimum amount of lubrication.

A variety of arm, rib and mounting options, as well as hydraulic options are available on request.



**Range:** 8,800 Lbs.

- Bale clamp for handling waste paper bales.
- Aluminium profile frame, strong T-profile arm carriers.
- Bale arms bolted to the arm carriers. Slim and strong arm design ensures easy knifing and tight stacking.
- Built-in integral sideshift improves positioning.



Model	Code	Capacity Lbs.	Load Center	Opening Range	Arm Length	Arm Height	Frame Width	Minimum Carriage Width	Height	Weight Lbs.	Horizontal Center of Gravity	Vertical Center of Gravity	Effective Thickness	Mounting Height	Mounting Class
		Q	BP	B	L	N	C	FL	D	W	HCG	VCG	LL	H	
B-400W 12C	61-219	8,800	31"	24.0"-86.2"	47.2"	17.5"	55.1"	49.2"	32.5"	2,260	11.0"	x	9.3"	2.9"	III / IV
B-400W 14C	61-217	8,800	31"	24.0"-85.4"	55.1"	17.5"	55.1"	49.2"	32.5"	2,380	12.6"	x	9.3"	2.9"	III / IV
B-400W 16C	61-216	8,800	31"	24.0"-85.0"	63.0"	17.5"	55.1"	49.2"	32.5"	2,510	15.5"	x	9.3"	2.9"	III / IV
B-400W 12C	71-239	8,800	31"	28.0"-94.1"	47.2"	17.5"	55.1"	49.2"	32.5"	2,300	10.9"	x	9.3"	2.9"	III / IV
B-400W 14C	71-237	8,800	31"	28.0"-93.3"	55.1"	17.5"	55.1"	49.2"	32.5"	2,420	12.5"	x	9.3"	2.9"	III / IV
B-400W 16C	71-236	8,800	31"	28.0"-92.9"	63.0"	17.5"	55.1"	49.2"	32.5"	2,560	15.4"	x	9.3"	2.9"	III / IV
B-400W 12C	61-239	8,800	31"	24.0"-94.1"	47.2"	17.5"	63.0"	49.2"	32.5"	2,310	10.7"	x	9.3"	2.9"	III / IV
B-400W 14C	61-237	8,800	31"	24.0"-93.3"	55.1"	17.5"	63.0"	49.2"	32.5"	2,420	12.4"	x	9.3"	2.9"	III / IV
B-400W 16C	61-236	8,800	31"	24.0"-92.9"	63.0"	17.5"	63.0"	49.2"	32.5"	2,570	15.2"	x	9.3"	2.9"	III / IV
B-400W 12C	71-259	8,800	31"	28.0"-102.0"	47.2"	17.5"	63.0"	49.2"	32.5"	2,360	10.6"	x	9.3"	2.9"	III / IV
B-400W 14C	71-257	8,800	31"	28.0"-101.2"	55.1"	17.5"	63.0"	49.2"	32.5"	2,470	12.2"	x	9.3"	2.9"	III / IV
B-400W 16C	71-256	8,800	31"	28.0"-100.8"	63.0"	17.5"	63.0"	49.2"	32.5"	2,610	15.0"	x	9.3"	2.9"	III / IV
B-400W 12C	61-259	8,800	31"	24.0"-102.0"	47.2"	17.5"	70.9"	49.2"	32.5"	2,400	10.4"	x	9.3"	2.9"	III / IV
B-400W 14C	61-257	8,800	31"	24.0"-101.2"	55.1"	17.5"	70.9"	49.2"	32.5"	2,510	12.0"	x	9.3"	2.9"	III / IV
B-400W 16C	61-256	8,800	31"	24.0"-100.8"	63.0"	17.5"	70.9"	49.2"	32.5"	2,670	14.7"	x	9.3"	2.9"	III / IV
B-400W 12C	71-279	8,800	31"	28.0"-109.8"	47.2"	17.5"	70.9"	49.2"	32.5"	2,440	10.3"	x	9.3"	2.9"	III / IV
B-400W 14C	71-277	8,800	31"	28.0"-109.1"	55.1"	17.5"	70.9"	49.2"	32.5"	2,570	11.9"	x	9.3"	2.9"	III / IV
B-400W 16C	71-276	8,800	31"	28.0"-108.7"	63.0"	17.5"	70.9"	49.2"	32.5"	2,710	14.6"	x	9.3"	2.9"	III / IV

### Notes:

- Two hydraulic functions.

### Options:

- Special opening ranges, arm lengths and arm finishes.

