

Pulp Bale Clamps

Models B-400P



The Bolzoni Auramo B-400P bale clamps are the optimal choice for heavy-duty pulp-bale handling.

The 8,800 Lbs capacity at 31" load center and wide choice of frame widths and arm lengths enable easy and efficient handling of one or two bale units.

The thin bale arm design allows tight and fast bale stacking and knifing. Good visibility through the clamp body makes the clamp easier to operate.

Built-in internal sideshift makes driving faster and reduces lift truck manoeuvring.

The aluminum profile frame and T-profile steel arm carriers make the clamp frame light - yet extremely strong.

All Bolzoni Auramo pulp and wastepaper bale clamps come equipped with built-in wear bars mounted on the clamping arms. Several arm options are available.

The arm carrier bearings, made of special plastic, are easily replaceable and require a minimal amount of service and lubrication.

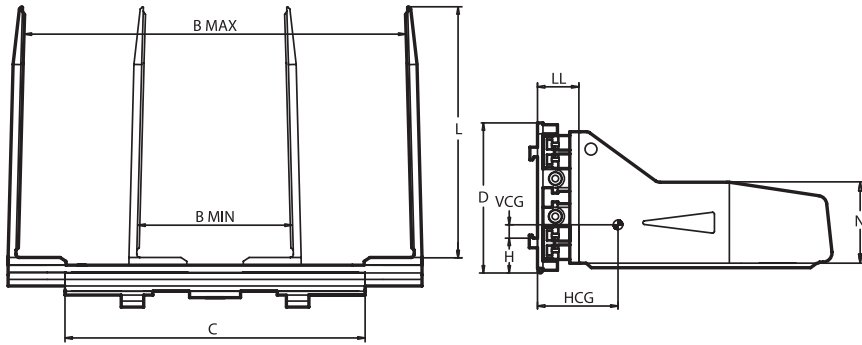
The hydraulic valves are well protected behind the clamp frame.

The B-400P clamps are compatible with all standard industrial lift trucks. Class 3 and 4 mountings as well as special mountings are available.



Range: 8,800 Lbs

- Bale clamp for handling pulp bales.
- Aluminium profile frame, strong T-profile arm carriers.
- Bolted pulp bale arms. Colorless arm finish.
- Left arm pivoted.
- Slim and strong arm design ensures easy knifing and tight stacking.
- Built-in integral sideshift improves positioning.



Model	Code	Capacity	Load Centre	Opening Range	Arm Length	Arm Height	Frame Width	Minimum Carriage Width	Height	Weight	Centre of Gravity Horizontal	Centre of Gravity Vertical	Effective Thickness	Mounting Height	Mounting Class
B-400P 12C	62-217	8,800	31"	24.4"-85.4"	47.2"	17.5"	55.1"	49.2"	32.5"	2,440	12.6"	x	9.3"	2.9"	III/IV
B-400P 14C	62-215	8,800	31"	24.4"-84.6"	55.1"	17.5"	55.1"	49.2"	32.5"	2,570	14.3"	x	9.3"	2.9"	III/IV
B-400P 16C	62-214	8,800	31"	24.4"-84.3"	63.0"	17.5"	55.1"	49.2"	32.5"	2,700	15.9"	x	9.3"	2.9"	III/IV
B-400P 12C	72-237	8,800	31"	28.3"-93.3"	47.2"	17.5"	55.1"	49.2"	32.5"	2,490	12.4"	x	9.3"	2.9"	III/IV
B-400P 14C	72-235	8,800	31"	28.3"-92.5"	55.1"	17.5"	55.1"	49.2"	32.5"	2,610	14.2"	x	9.3"	2.9"	III/IV
B-400P 16C	72-234	8,800	31"	28.3"-92.1"	63.0"	17.5"	55.1"	49.2"	32.5"	2,740	15.7"	x	9.3"	2.9"	III/IV
B-400P 12C	62-237	8,800	31"	24.4"-93.3"	47.2"	17.5"	63.0"	49.2"	32.5"	2,500	12.3"	x	9.3"	2.9"	III/IV
B-400P 14C	62-235	8,800	31"	24.4"-92.5"	55.1"	17.5"	63.0"	49.2"	32.5"	2,620	14.1"	x	9.3"	2.9"	III/IV
B-400P 16C	62-234	8,800	31"	24.4"-92.1"	63.0"	17.5"	63.0"	49.2"	32.5"	2,750	15.6"	x	9.3"	2.9"	III/IV
B-400P 12C	72-257	8,800	31"	28.3"-101.2"	47.2"	17.5"	63.0"	49.2"	32.5"	2,540	12.2"	x	9.3"	2.9"	III/IV
B-400P 14C	72-255	8,800	31"	28.3"-100.4"	55.1"	17.5"	63.0"	49.2"	32.5"	2,670	13.9"	x	9.3"	2.9"	III/IV
B-400P 16C	72-254	8,800	31"	28.3"-100.0"	63.0"	17.5"	63.0"	49.2"	32.5"	2,800	15.5"	x	9.3"	2.9"	III/IV
B-400P 12C	62-247	8,800	31"	24.4"-97.2"	47.2"	17.5"	66.9"	49.2"	32.5"	2,530	12.2"	x	9.3"	2.9"	III/IV
B-400P 14C	62-245	8,800	31"	24.4"-96.5"	55.1"	17.5"	66.9"	49.2"	32.5"	2,650	13.9"	x	9.3"	2.9"	III/IV
B-400P 16C	62-244	8,800	31"	24.4"-96.1"	63.0"	17.5"	66.9"	49.2"	32.5"	2,790	15.4"	x	9.3"	2.9"	III/IV
B-400P 12C	72-267	8,800	31"	28.3"-105.1"	47.2"	17.5"	66.9"	49.2"	32.5"	2,590	12.0"	x	9.3"	2.9"	III/IV
B-400P 14C	72-265	8,800	31"	28.3"-104.3"	55.1"	17.5"	66.9"	49.2"	32.5"	2,710	13.7"	x	9.3"	2.9"	III/IV
B-400P 16C	72-264	8,800	31"	28.3"-103.9"	63.0"	17.5"	66.9"	49.2"	32.5"	2,840	15.2"	x	9.3"	2.9"	III/IV
B-400P 12C	62-257	8,800	31"	24.4"-101.2"	47.2"	17.5"	70.9"	49.2"	32.5"	2,590	11.9"	x	9.3"	2.9"	III/IV
B-400P 14C	62-255	8,800	31"	24.4"-100.4"	55.1"	17.5"	70.9"	49.2"	32.5"	2,710	13.9"	x	9.3"	2.9"	III/IV
B-400P 16C	62-254	8,800	31"	24.4"-100.0"	63.0"	17.5"	70.9"	49.2"	32.5"	2,840	15.2"	x	9.3"	2.9"	III/IV
B-400P 12C	72-277	8,800	31"	28.3"-109.1"	47.2"	17.5"	70.9"	49.2"	32.5"	2,640	11.8"	x	9.3"	2.9"	III/IV
B-400P 14C	72-275	8,800	31"	28.3"-108.3"	55.1"	17.5"	70.9"	49.2"	32.5"	2,750	13.5"	x	9.3"	2.9"	III/IV
B-400P 16C	72-274	8,800	31"	28.3"-107.9"	63.0"	17.5"	70.9"	49.2"	32.5"	2,890	15.0"	x	9.3"	2.9"	III/IV

Notes:

- Two hydraulic functions.
- Pressure relief valve on clamping.
- Integral sideshift.
- Arms bolted to the arm carriers.

Options:

- Special opening ranges.
- Special arm lengths
- Arms welded to the arm carriers
- Load backrest.
- Cylinder protection.

