

# Fork Positioners

## Models FFP



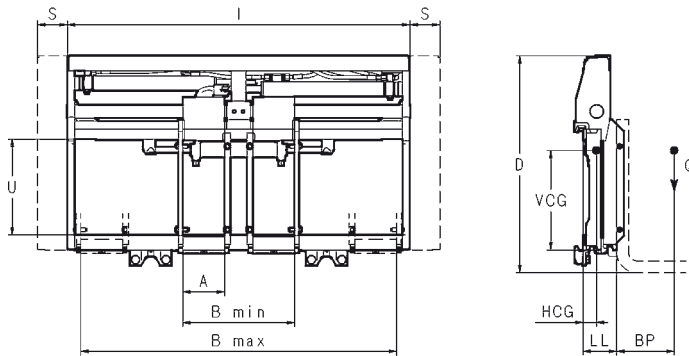
The Bolzoni Auramo FFP model fork positioner provides fast and accurate fork positioning as FEM/ITA fork carriers sliding on a chromed bar in order to use the standard forks on the truck with no modification. Visibility strength and versatility are unchanged.

The forks carriers show an oversized structure and consequently this model can be considered the “heavy duty” version of the FR model.



# Fork Positioners with Fork Adapters

## Models FFP (Sideshifting)



**Range:** 5,500 - 10,000 Lbs.

- Separate sideshift.
- Standard forks of the truck can be used without modification.
- Fork carriers sliding on a chromed bar with bushings.
- Excellent visibility, strength and versatility.
- Accurate fork positioning, operated on a round chromed bar.

Model	Capacity Lbs. @ 24"	Mounting Class	Opening Range out to out		Overall Width	Minimum Carriage Width	Total Sideshift	Height	Fork Support Width	Side Visibility	Weight Lbs.	Effective Thickness	Horizontal Center of Gravity	Vertical Center of Gravity
	Q		B min	B max	I	FL	S	D	A	U	W	LL	HCG	VCG
FFP 25 08A	5,500	II	13.7"	26.9"	31.5"	28.4"	8"	28.7"	5.0"	12.6"	238	4.4"	1.77"	13.2"
FFP 25 X9A	5,500	II	13.7"	32.4"	37.0"	32.7"	8"	28.7"	5.0"	12.6"	251	4.4"	1.77"	13.2"
FFP 25 09A	5,500	II	13.7"	33.9"	38.6"	32.7"	8"	28.7"	5.0"	12.6"	256	4.4"	1.77"	13.2"
FFP 25 10A	5,500	II	13.7"	38.7"	43.3"	35.9"	8"	28.7"	5.0"	12.6"	274	4.4"	1.77"	13.2"
FFP 35 09B	6,500	III	14.9"	33.5"	38.6"	29.9"	8"	33.6"	5.0"	16.3"	344	5.3"	2.12"	15.6"
FFP 35 10B	6,500	III	14.9"	38.3"	43.3"	35.0"	8"	33.6"	5.0"	16.3"	364	5.3"	2.12"	15.6"
FFP 35 11B	6,500	III	14.9"	40.2"	45.3"	35.0"	8"	33.6"	5.0"	16.3"	373	5.3"	2.12"	15.6"
FFP 35 12B	6,500	III	14.9"	44.0"	49.0"	42.9"	8"	33.6"	5.0"	16.3"	390	5.3"	2.08"	15.7"
FFP 49 10B	10,000	III	17.5"	37.8"	43.3"	33.5"	8"	37.6"	6.3"	14.3"	615	5.7"	2.56"	15.6"
FFP 49 11B	10,000	III	17.5"	39.7"	45.3"	33.5"	8"	37.6"	6.3"	14.3"	624	5.7"	2.52"	15.6"
FFP 49 12B	10,000	III	17.5"	43.5"	49.0"	35.5"	8"	37.6"	6.3"	14.3"	662	5.7"	2.52"	15.6"
FFP 49 13B	10,000	III	17.5"	47.6"	53.1"	38.2"	8"	37.6"	6.3"	14.3"	684	5.7"	2.48"	15.6"
FFP 49 15B	10,000	III	17.5"	55.5"	61.0"	47.3"	8"	37.6"	6.3"	14.3"	735	5.7"	2.44"	15.7"
FFP 49 16B	10,000	III	17.3"	59.6"	65.4"	49.6"	8"	37.6"	6.3"	14.3"	763	5.7"	2.40"	15.8"
FFP 49 17B	10,000	III	15.4"	65.7"	68.9"	61.0"	8"	33.9"	6.3"	14.3"	717	4.4"	2.13"	15.0"
FFP 49 18B	10,000	III	15.4"	68.1"	72.8"	61.0"	8"	33.9"	6.3"	14.3"	728	4.4"	2.13"	15.0"
FFP 49 20B	10,000	III	15.4"	74.0"	78.7"	61.0"	8"	33.9"	6.3"	14.3"	750	4.4"	2.13"	15.0"

### Notes:

- Two hydraulic functions required.
- Total sideshift stroke 8".
- Forks are not included in the attachment price.
- Weight and center of gravity are given without forks.
- Delivered without forks. Original lift truck forks can be fitted without any modification.
- Not for handling cylindrical loads.

### Options:

- Flow divider valve.
- Pressure relief valve.
- Load backrest.
- Fork support width 8.0" (available for model FFP49 only).

