

Fork Positioners

Models LB-LS



The Bolzoni Auramo wide opening fork positioner LS model allows to position the forks beyond the forklift width, to handle very wide loads. This attachment grants optimized productivity thanks to the safest handling of small, medium and extra-large loads.

The Bolzoni Auramo wide opening fork positioners are available in a wide range of capacities and options, representing the solution to the most various handling needs.

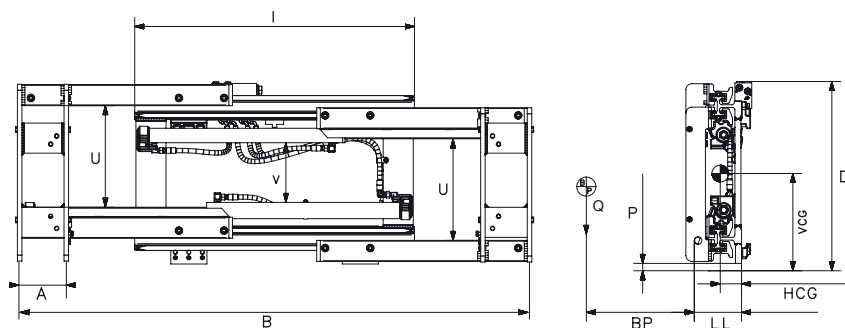
Features:

- Very rigid frame structure with single piece double "T" profile. Wide visibility window thanks to new vertical plates position at the extremity of the frame. Narrow vertical plates.
- Superior visibility through the frame grants safe and easy handling operations.
- Possibility to use standard ITA forks without any modifications.
- New check valve for simple and precise arm synchronism, easy fitting, new position in the upper profile shadow granting valve protection and high visibility of the structure.
- New fixing system of the sliding pads to relief stress.
- New self-aligning cylinder fixing to avoid breakage.
- New separate side shift: cylinder position within the frame window to improve side shifting system. Upper and lower pads with greasers.



Wide Opening Fork Positioners with Fork Carriers

Models LB-LS



Range: 2,500 - 11,000 Lbs.

- Series LB and LS fork positioners are based on a clamp frame, which allows the fork lift operator to position the forks beyond the original width of the forklift carriage.
- Safe handling of small, medium and extra-large loads.
- Possibility to use standard ITA forks without any modifications.
- Synchronized fork movement.
- Excellent visibility.
- Models LB - non-sideshifting.
- Models LS - separate sideshift.

Model	Capacity Lbs. @ 24"	Mounting Class	Opening Range out to out		Overall Width	Minimum Carriage Width	Total Sideshift	Height	Fork Support Width	Side Visibility	Central Visibility	Weight Lbs.	Effective Thickness	Horizontal Center of Gravity	Vertical Center of Gravity	Ground Clearance
	Q		B min	B max												
Non-sideshifting																
LB 14 YNKA	2,500	II	22.0"	63.8"	34.3"	29.5"	-	24.8"	5.1"	13.3"	7.5"	375	6.2"	2.8"	12.7"	0.9"
LB 14 YKA	2,500	II	22.0"	66.1"	36.6"	27.2"	-	24.8"	5.1"	13.3"	7.5"	419	6.2"	2.8"	12.7"	0.9"
LB 14 YKEA	2,500	II	21.6"	82.7"	53.9"	29.5"	-	24.8"	5.1"	13.3"	7.5"	486	6.2"	2.8"	12.7"	0.9"
LB 20 YNKA	3,600	II	22.0"	63.8"	34.3"	29.5"	-	24.8"	5.1"	13.3"	7.5"	375	6.2"	2.8"	12.7"	0.9"
LB 20 YKA	3,600	II	22.0"	66.1"	36.6"	27.2"	-	24.8"	5.1"	13.3"	7.5"	419	6.2"	2.8"	12.7"	0.9"
LB 20 YKEA	3,600	II	21.6"	82.7"	53.9"	29.5"	-	24.8"	5.1"	13.3"	7.5"	486	6.2"	2.8"	12.7"	0.9"
LB 25 YKA	4,500	II	22.0"	66.1"	36.6"	27.2"	-	24.7"	5.1"	13.2"	7.3"	426	6.2"	3.0"	12.7"	1.0"
LB 25 YNKA	4,500	II	22.0"	63.8"	34.3"	29.5"	-	24.7"	5.1"	13.2"	7.3"	375	6.2"	2.8"	12.7"	1.0"
LB 25 YKEA	4,500	II	21.6"	82.7"	53.9"	29.5"	-	24.7"	5.1"	13.2"	7.3"	486	6.2"	2.8"	12.7"	1.0"
LB 28 YKB	5,000	III	22.0"	67.7"	38.2"	27.2"	-	28.9"	6.3"	16.9"	10.9"	514	7.2"	3.4"	15.0"	0.7"
LB 38 YKB	6,800	III	22.0"	76.8"	47.2"	27.2"	-	28.9"	6.3"	16.9"	10.9"	616	7.2"	2.8"	14.5"	0.7"
LB 50 YKB	8,800	III	22.0"	71.3"	45.3"	37.4"	-	28.1"	6.3"	9.1"	8.3"	958	8.1"	5.5"	9.8"	0.8"
LB 50 YKC	11,000	IV	22.0"	71.3"	45.3"	39.6"	-	36.2"	8.3"	9.1"	8.3"	1,148	8.6"	3.8"	9.8"	0.8"
Sideshifting																
LS 14 YNKA	2,500	II	22.0"	63.8"	34.3"	36.2"	8"	24.8"	5.1"	13.3"	7.5"	435	7.4"	3.6"	12.7"	0.9"
LS 14 YKA	2,500	II	22.0"	66.1"	36.6"	36.2"	8"	24.8"	5.1"	13.3"	7.5"	442	7.4"	3.7"	12.7"	0.9"
LS 14 YKEA	2,500	II	21.6"	82.7"	53.9"	36.2"	8"	24.8"	5.1"	13.3"	7.5"	545	7.4"	3.7"	12.7"	0.9"
LS 20 YNKA	3,600	II	22.0"	63.8"	34.3"	36.2"	8"	24.8"	5.1"	13.3"	7.5"	435	7.4"	3.6"	12.7"	0.9"
LS 20 YKA	3,600	II	22.0"	66.1"	36.6"	36.2"	8"	24.8"	5.1"	13.3"	7.5"	442	7.4"	3.7"	12.7"	0.9"
LS 20 YKEA	3,600	II	21.6"	82.7"	53.9"	36.2"	8"	24.8"	5.1"	13.3"	7.5"	545	7.4"	3.7"	12.7"	0.9"
LS 25 YKA	4,500	II	22.0"	66.1"	36.6"	36.2"	8"	24.7"	5.1"	13.2"	7.3"	468	7.4"	3.9"	12.6"	1.0"
LS 25 YNKA	4,500	II	22.0"	63.8"	34.3"	36.2"	8"	24.7"	5.1"	13.2"	7.3"	435	7.4"	3.6"	12.6"	1.0"
LS 25 YKEA	4,500	II	21.6"	82.7"	53.9"	36.2"	8"	24.7"	5.1"	13.2"	7.3"	545	7.4"	3.7"	12.6"	1.0"
LS 28 YKB	5,000	III	22.0"	67.7"	38.2"	38.2"	8"	28.9"	6.3"	16.9"	10.9"	592	8.8"	4.4"	14.7"	0.7"
LS 38 YKB	6,800	III	22.0"	76.8"	47.2"	38.2"	8"	28.9"	6.3"	16.9"	10.9"	706	8.8"	4.4"	14.5"	0.7"
LS 50 YKB	8,800	III	22.0"	71.3"	45.3"	39.4"	8"	28.1"	6.3"	9.1"	8.3"	1,104	9.8"	5.1"	11.1"	0.8"
LS 50 YKC	11,000	IV	22.0"	71.3"	45.3"	47.2"	8"	36.2"	8.3"	9.1"	8.3"	1,347	10.2"	4.6"	11.1"	0.8"

Notes:

- One hydraulic function for LB models and two hydraulic functions for LS models.
- LS models include $\pm 4"$ sideshift stroke.
- Weight, effective thickness and center of gravity are given without forks.
- Pressure relief valve.

Options:

- Special widths.
- Load backrest.
- Different fork carriers and fork widths.
- Quick change lower hooks.

