

# 360-degree Rotating Pallet Fork Clamp

## Models LG-H



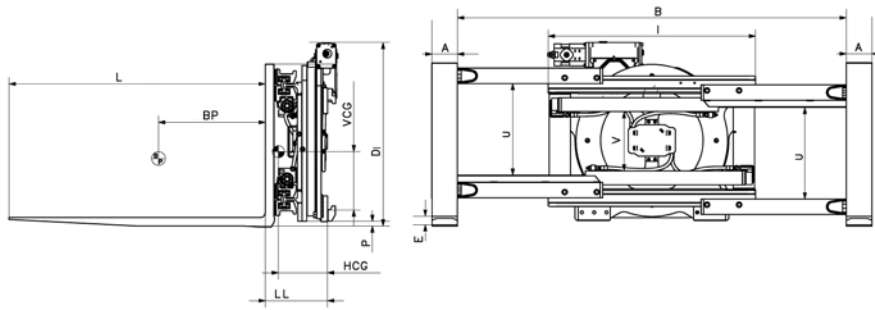
### Features:

- Very rigid frame structure with single piece double "T" profile. Wide visibility window thanks to new vertical plates position at the extremity of the frame. Narrow vertical plates.
- Superior visibility through the frame grants safe and easy handling operations.
- 360 degree rotation in both directions.
- New check valve for simple and precise arm synchronism, easy fitting, new position in the upper profile shadow granting valve protection and high visibility of the structure.
- New fixing system of the sliding pads to relief stress.
- New self aligning cylinder fixing to avoid breakage.
- Combined assembly of the new valve and new rotating joint. Easy installation on the fork lift truck thanks to the hoses feeding the clamp and connecting the rotating joint to the clamp rear side.
- Forks welded directly to the arm carriers for reduced effective thickness, centre of gravity and weight.
- Versions with new separate side shift: cylinder position within the frame window to improve side shifting system. Upper and lower pads with greasers.

The Bolzoni Auramo 360 degree rotating pallet fork clamp LG-H model is a versatile attachment that can be used for handling various loads and in particular to empty containers and bins in foundries, food and agriculture industries.

The Bolzoni Auramo 360 degree rotating pallet fork clamps are available in a wide range of capacities and options, representing the solution to the most various handling needs.





**Range:** 1,800 - 9,000 Lbs.

- Strong double T-profile frame.
- Reduced weight, effective thickness and centre of gravity.
- Excellent visibility.
- 360° continuous rotation in both directions.
- Forks welded to the arm carriers.
- Commonly used to empty containers and bins in foundries, food and agriculture industries.

Model	Capacity Lbs. @ 24"		Mounting Class	Frame Width	Opening Range in to in	Fork Dimensions			Weight Lbs.	Effective Thickness	Horizontal Center of Gravity	Vertical Center of Gravity	Minimum Carriage Width	Height	Ground Clearance
	Q1	Q2				L	A	E							
LG 10 H3A	1,800	2,900	II	36.6"	18.5" - 66.9"	35.4"	3.9"	1.3"	806	10.8"	9.0"	8.7"	22.8"	29.3"	0.7"
LG 10 H5A	1,800	2,900	II	36.6"	18.5" - 66.9"	43.3"	3.9"	1.3"	833	10.8"	9.0"	8.7"	22.8"	29.3"	0.7"
LG 10 H6A	1,800	2,900	II	36.6"	18.5" - 66.9"	47.2"	3.9"	1.3"	846	10.8"	9.0"	8.7"	22.8"	29.3"	0.7"
LG 10 H5A-X	1,800	2,900	II	41.3"	13.7" - 62.2"	43.3"	3.9"	1.3"	846	10.8"	9.1"	8.7"	22.8"	29.3"	0.7"
LG 14 H3A	2,500	3,600	II	36.6"	18.5" - 66.9"	35.4"	3.9"	1.5"	838	10.9"	8.6"	8.7"	22.8"	29.3"	0.7"
LG 14 H5A	2,500	3,600	II	36.6"	18.5" - 66.9"	43.3"	3.9"	1.5"	864	11.0"	9.0"	8.7"	22.8"	29.3"	0.7"
LG 14 H6A	2,500	3,600	II	36.6"	18.5" - 66.9"	47.2"	3.9"	1.5"	877	11.0"	9.5"	8.6"	22.8"	29.3"	0.7"
LG 14 H5A-X	2,500	3,600	II	41.3"	13.7" - 62.2"	43.3"	3.9"	1.5"	891	11.0"	9.2"	9.8"	22.8"	29.3"	0.7"
LG 18 H3A	3,200	4,500	II	38.1"	18.5" - 70.8"	35.4"	5.1"	1.5"	965	10.9"	9.5"	8.6"	22.8"	29.3"	0.7"
LG 18 H5A	3,200	4,500	II	38.1"	18.5" - 70.8"	43.3"	5.1"	1.5"	983	11.0"	9.7"	8.6"	22.8"	29.3"	0.7"
LG 18 H6A	3,200	4,500	II	38.1"	18.5" - 70.8"	47.2"	5.1"	1.5"	1,031	11.0"	9.8"	8.6"	22.8"	29.3"	0.7"
LG 18 H5A-X	3,200	4,500	II	43.3"	11.8" - 62.5"	43.3"	5.1"	1.5"	992	11.0"	9.3"	8.6"	22.8"	29.3"	0.7"
LG 22 H3A	4,000	4,500	II	38.1"	18.5" - 70.8"	35.4"	5.1"	1.5"	965	10.9"	9.5"	8.6"	22.8"	29.3"	0.7"
LG 22 H5A	4,000	4,500	II	38.1"	18.5" - 70.8"	43.3"	5.1"	1.5"	983	11.0"	9.7"	8.6"	22.8"	29.3"	0.7"
LG 22 H6A	4,000	4,500	II	38.1"	18.5" - 70.8"	47.2"	5.1"	1.5"	1,031	11.0"	9.8"	8.6"	22.8"	29.3"	0.7"
LG 22 H5A-X	4,000	4,500	II	43.3"	11.8" - 62.5"	43.3"	5.1"	1.5"	992	11.0"	9.3"	8.6"	22.8"	29.3"	0.7"
LG 28 H3B-K	5,000	7,000	III	43.3"	18.5" - 75.9"	35.4"	5.1"	2.0"	1,266	11.8"	9.4"	10.6"	34.2"	33.6"	0.8"
LG 28 H5B-K	5,000	7,000	III	43.3"	18.5" - 75.9"	43.3"	5.1"	2.0"	1,310	11.8"	9.5"	10.6"	34.2"	33.6"	0.8"
LG 28 H6B-K	5,000	7,000	III	43.3"	18.5" - 75.9"	47.2"	5.1"	2.0"	1,332	11.8"	9.6"	10.6"	34.2"	33.6"	0.8"
LG 28 H6B	5,000	7,000	III	38.1"	18.5" - 70.8"	47.2"	5.1"	2.0"	1,300	11.8"	9.6"	10.6"	34.2"	33.6"	0.8"
<b>LG 32 H6B-W</b>	<b>5,000</b>	<b>7,000</b>	<b>II/III</b> ①	<b>43.3"</b>	<b>17.7" - 70.1"</b>	<b>47.2"</b>	<b>5.9"</b>	<b>2.0"</b>	<b>1,852</b>	<b>13.0"</b>	<b>10.5"</b>	<b>13.2"</b>	<b>36.6"</b>	<b>33.6"</b>	<b>0.8"</b>
LG 35 H6B	6,300	8,100	III	49.2"	21.6" - 80.7"	47.2"	5.9"	1.9"	1,896	13.1"	10.4"	10.8"	34.2"	33.6"	0.8"
LG 35 H6B-X	6,300	8,100	III	46.0"	10.2" - 59.4"	47.2"	5.9"	1.9"	1,752	13.5"	11.9"	10.0"	34.2"	33.6"	0.8"
LG 40 H6B	7,200	9,000	III	49.2"	21.6" - 80.7"	47.2"	5.9"	2.3"	1,982	13.5"	12.1"	10.0"	34.2"	33.6"	0.8"
LG 40 H6B-X	7,200	9,000	III	46.0"	10.2" - 59.4"	47.2"	5.9"	2.3"	1,843	13.5"	12.0"	10.0"	34.2"	33.6"	0.8"

### Notes:

- Two hydraulic functions required.
  - Q1 = when clamping without rotation; or when rotating without clamping.
  - Q2 = capacity on the forks.
  - The capacities when clamping depend on the load type and configuration.
  - Pressure relief valve.
  - Swivel block.
  - Double check valve.
  - Forks welded directly to the carriers.
  - Model LG 32 H6B-W is especially dedicated for recycling. It has a protective plate for motor and valve.
- ① Dual drilled Class II/III. Please, specify mounting class on order.

### Options:

- Special openings.
- Different fork lengths.
- Separate sideshift.
- Quick change lower hooks.
- Pressure gauge.
- Load backrest.
- Slip-on arms.
- Four stage pressure relief valve.

