

# Fork Positioners

## Models MZ



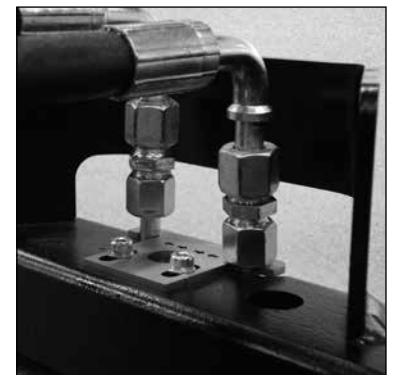
The Bolzoni Auramo MZ fork positioner series is designed to provide a practical solution for various handling operations and pallet sizes. The product has a reduced weight and thickness, and the easy use and excellent visibility offer great advantages for the lift truck operator.

The fork carriers, operated by two hydraulic cylinders, allow the use of the original lift truck forks. Also the installation of different fork types is enabled by a simple adjustment.

The cylinders have differentiated diameters to ensure perfect synchronization of the forks movement.

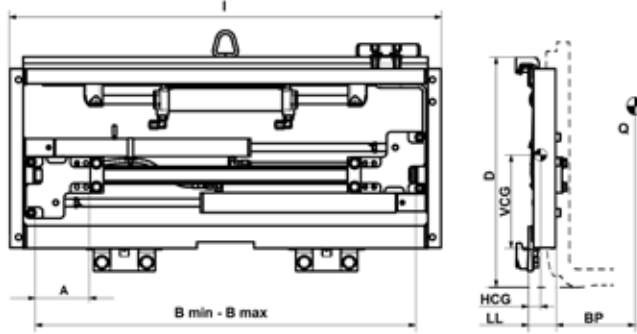
The sideshift reduces the need for lift truck maneuvering. Original load backrests can be easily fitted on the fork positioner.

Non-sideshifting version is available on request.



# Fork Positioners, Sideshifting

## Models MZ



Range: 5,500 - 10,000 Lbs.

### Features:

- The MZ series fork positioner is based on the HN sideshift frame.
- Standard lift truck forks can be easily fitted.
- No forks welding required.
- Accurate forks movement.
- Excellent visibility.
- Original load backrest can be easily fitted on the fork positioner.

Model	Capacity Lbs. @ 24"	Mounting Class	Opening Range out to out	Overall Width	Minimum Carriage Width	Total Sideshift	Height	Fork Support Width	Weight Lbs.	Effective Thickness	Horizontal Center of Gravity	Vertical Center of Gravity
	Q	Bmin Bmax	I	FL	S	D	A	W	LL	HCG	VCG	
<b>Bolzoni Auramo</b>												
MZ4 3120	5,500	II	12.4" 26.9"	31.0"	28.4"	8"	22.2"	5.0"	117	2.4"	1.0"	8.1"
MZ4 3720	5,500	II	12.4" 32.9"	37.0"	32.7"	8"	22.2"	5.0"	140	2.4"	1.0"	8.1"
MZ4 4120	5,500	II	12.4" 36.9"	41.0"	35.8"	8"	22.2"	5.0"	155	2.4"	1.0"	8.1"
MZ4 4920	5,500	II	12.4" 44.9"	49.0"	37.8"	8"	22.2"	5.0"	186	2.6"	1.1"	8.1"
MZ5 3720	6,500	III	12.4" 32.9"	37.0"	29.9"	8"	26.6"	5.0"	164	2.6"	1.0"	9.0"
MZ5 4120	6,500	III	12.4" 36.9"	41.0"	35.0"	8"	26.6"	5.0"	182	2.6"	1.0"	9.0"
MZ5 4920	6,500	III	12.4" 44.9"	49.0"	42.9"	8"	26.6"	5.0"	217	2.6"	1.0"	9.0"
MZ6 4120	10,000	III	15.4" 35.9"	41.0"	33.5"	8"	27.2"	6.0"	305	3.0"	1.4"	10.0"
MZ6 4920	10,000	III	15.4" 44.0"	49.0"	33.5"	8"	27.2"	6.0"	344	3.0"	1.4"	10.0"
MZ6 5520	10,000	III	15.4" 50.0"	55.1"	47.3"	8"	30.1"	6.0"	376	3.0"	1.4"	10.0"
MZ6 6120	10,000	III	15.4" 56.0"	61.0"	47.3"	8"	30.1"	6.0"	403	3.0"	1.4"	10.1"
MZ7R 4216	12,000	IV	15.4" 36.3"	42.0"	35.4"	8"	29.1"	6.0"	406	3.3"	1.5"	19.7"
MZ7R 4316	12,000	IV	15.4" 37.5"	43.3"	35.4"	8"	29.1"	6.0"	412	3.3"	1.5"	19.7"
MZ7R 4716	12,000	IV	15.4" 41.4"	47.3"	35.4"	8"	29.1"	6.0"	434	3.3"	1.5"	19.7"
MZ7R 4816	12,000	IV	15.4" 42.2"	48.0"	35.4"	8"	29.1"	6.0"	439	3.3"	1.5"	19.7"
MZ7R 5316	12,000	IV	15.4" 47.3"	53.3"	35.4"	8"	29.1"	6.0"	467	3.3"	1.5"	19.7"
MZ7R 5416	12,000	IV	15.4" 48.1"	54.0"	35.4"	8"	29.1"	6.0"	472	3.3"	1.5"	19.7"
MZ7R 5916	12,000	IV	15.4" 53.2"	59.1"	36.6"	8"	29.1"	6.0"	509	3.3"	1.6"	19.7"
MZ7R 6016	12,000	IV	15.4" 54.2"	60.0"	39.4"	8"	29.1"	6.0"	516	3.3"	1.6"	19.7"
MZ7R 6116	12,000	IV	15.4" 55.2"	61.0"	39.4"	8"	29.1"	6.0"	520	3.3"	1.6"	19.7"
MZ7 4216	15,000	IV	19.1" 35.5"	42.0"	35.4"	8"	29.1"	8.0"	443	3.3"	1.3"	19.8"
MZ7 4316	15,000	IV	19.1" 36.7"	43.3"	35.4"	8"	29.1"	8.0"	450	3.3"	1.3"	19.8"
MZ7 4716	15,000	IV	19.1" 40.6"	47.3"	35.4"	8"	29.1"	8.0"	474	3.3"	1.4"	19.8"
MZ7 4816	15,000	IV	19.1" 41.4"	48.0"	35.4"	8"	29.1"	8.0"	478	3.3"	1.4"	19.8"
MZ7 5316	15,000	IV	19.1" 46.5"	53.3"	35.4"	8"	29.1"	8.0"	509	3.3"	1.4"	19.8"
MZ7 5416	15,000	IV	19.1" 47.3"	54.0"	35.4"	8"	29.1"	8.0"	514	3.3"	1.4"	19.8"
MZ7 5916	15,000	IV	19.1" 52.4"	59.1"	36.6"	8"	29.1"	8.0"	553	3.3"	1.4"	19.8"
MZ7 6016	15,000	IV	19.1" 53.4"	60.0"	39.4"	8"	29.1"	8.0"	558	3.3"	1.4"	19.8"
MZ7 6116	15,000	IV	19.1" 54.4"	61.0"	39.4"	8"	29.1"	8.0"	567	3.3"	1.4"	19.8"
<b>Caterpillar</b>												
MZ4 3242	5,500	II	12.4" 27.8"	32.3"	28.4"	8"	22.2"	5.0"	122	2.4"	1.0"	8.1"
MZ4 3252	5,500	II	12.4" 27.8"	32.3"	28.4"	8"	22.2"	5.0"	122	2.4"	1.0"	8.1"
MZ4 3642	5,500	II	12.4" 31.7"	36.2"	32.7"	8"	22.2"	5.0"	137	2.4"	1.0"	8.1"
MZ4 3652	5,500	II	12.4" 31.7"	36.2"	32.7"	8"	22.2"	5.0"	137	2.4"	1.0"	8.1"
MZ4 3802	5,500	II	12.4" 33.8"	38.3"	32.7"	8"	22.2"	5.0"	145	2.4"	1.0"	8.1"
MZ4 3862	5,500	II	12.4" 34.1"	38.6"	28.4"	8"	22.2"	5.0"	146	2.4"	1.0"	8.1"
MZ4 3942	5,500	II	12.4" 34.9"	39.4"	32.7"	8"	22.2"	5.0"	149	2.4"	1.0"	8.1"
MZ4 3952	5,500	II	12.4" 34.9"	39.4"	32.7"	8"	22.2"	5.0"	149	2.4"	1.0"	8.1"
MZ4 4302	5,500	II	12.4" 38.9"	43.4"	37.8"	8"	22.2"	5.0"	164	2.4"	1.0"	8.1"
MZ4 4462	5,500	II	12.4" 39.9"	44.1"	37.8"	8"	22.2"	5.0"	167	2.4"	1.0"	8.1"
MZ5 3742	6,500	III	12.4" 33.3"	37.8"	29.9"	8"	26.6"	5.0"	167	2.6"	1.0"	9.0"
MZ5 3752	6,500	III	12.4" 33.3"	37.8"	29.9"	8"	26.6"	5.0"	167	2.6"	1.0"	9.0"
MZ5 3942	6,500	III	12.4" 34.9"	39.4"	29.9"	8"	26.6"	5.0"	175	2.6"	1.0"	9.0"
MZ5 3952	6,500	III	12.4" 34.9"	39.4"	29.9"	8"	26.6"	5.0"	175	2.6"	1.0"	9.0"
MZ5 4002	6,500	III	12.4" 35.8"	40.3"	35.0"	8"	26.6"	5.0"	179	2.6"	1.0"	9.0"
MZ5 4102	6,500	III	12.4" 37.0"	41.5"	35.0"	8"	26.6"	5.0"	184	2.6"	1.0"	9.0"
MZ5 4302	6,500	III	12.4" 39.4"	43.9"	35.0"	8"	26.6"	5.0"	194	2.6"	1.0"	9.0"
MZ5 4702	6,500	III	12.4" 43.3"	47.8"	42.9"	8"	26.6"	5.0"	212	2.6"	1.0"	9.0"
MZ6 3952	10,000	III	15.4" 34.3"	39.4"	33.5"	8"	27.2"	6.0"	297	3.0"	1.4"	10.0"
MZ6 4102	10,000	III	15.4" 36.5"	41.5"	33.5"	8"	27.2"	6.0"	307	3.0"	1.4"	10.0"

Model	Capacity Lbs. @ 24"	Mounting Class	Opening Range out to out	Overall Width	Minimum Carriage Width	Total Sideshift	Height	Fork Support Width	Weight Lbs.	Effective Thickness	Horizontal Center of Gravity	Vertical Center of Gravity
	Q	Bmin Bmax	I	FL	S	D	A	W	LL	HCG	VCG	
MZ6 4402	10,000	III	15.4" 39.3"	44.3"	33.5"	8"	27.2"	6.0"	321	3.0"	1.4"	10.0"
MZ6 4442	10,000	III	15.4" 39.3"	44.3"	33.5"	8"	27.2"	6.0"	321	3.0"	1.4"	10.0"
MZ6 4642	10,000	III	15.4" 41.8"	46.8"	35.5"	8"	27.2"	6.0"	333	3.0"	1.4"	10.0"
MZ6 4652	10,000	III	15.4" 41.8"	46.8"	35.5"	8"	27.2"	6.0"	333	3.0"	1.4"	10.0"
MZ6 4702	10,000	III	15.4" 42.8"	47.8"	35.5"	8"	27.2"	6.0"	338	3.0"	1.4"	10.0"
MZ6 5942	10,000	III	15.4" 54.0"	59.1"	47.3"	8"	30.1"	6.0"	394	3.0"	1.4"	10.1"
MZ6 5952	10,000	III	15.4" 54.0"	59.1"	47.3"	8"	30.1"	6.0"	394	3.0"	1.4"	10.1"
MZ6 6002	10,000	III	15.4" 55.0"	60.0"	47.3"	8"	30.1"	6.0"	398	3.0"	1.4"	10.1"
<b>Clark</b>												
MZ4 3103	5,500	II	12.4" 26.5"	31.0"	28.4"	8"	22.2"	5.0"	117	2.4"	1.0"	8.1"
MZ4 3703	5,500	II	12.4" 32.5"	37.0"	32.7"	8"	22.2"	5.0"	140	2.4"	1.0"	8.1"
MZ4 4103	5,500	II	12.4" 36.5"	41.0"	35.8"	8"	22.2"	5.0"	155	2.4"	1.0"	8.1"
MZ4 4403	5,500	II	12.4" 40.4"	44.9"	37.8"	8"	22.2"	5.0"	170	2.4"	1.0"	8.1"
MZ4 4903	5,500	II	12.4" 44.5"	49.0"	37.8"	8"	22.2"	5.0"	186	2.6"	1.1"	8.1"
MZ5 3703	6,500	III	12.4" 32.5"	37.0"	29.9"	8"	26.6"	5.0"	164	2.6"	1.0"	9.0"
MZ5 4103	6,500	III	12.4" 36.5"	41.0"	35.0"	8"	26.6"	5.0"	178	2.6"	1.0"	9.0"
MZ5 4403	6,500	III	12.4" 40.4"	44.9"	35.0"	8"	26.6"	5.0"	199	2.6"	1.0"	9.0"
MZ5 4903	6,500	III	12.4" 44.5"	49.0"	42.9"	8"	26.6"	5.0"	217	2.6"	1.0"	9.0"
MZ6 4103	10,000	III	15.4" 35.9"	41.0"	33.5"	8"	27.2"	6.0"	305	3.0"	1.4"	10.0"
MZ6 4903	10,000	III	15.4" 44.0"	49.0"	35.5"	8"	27.2"	6.0"	344	3.0"	1.4"	10.0"
MZ6 6103	10,000	III	15.4" 56.0"	61.0"	47.3"	8"	30.1"	6.0"	403	3.0"	1.4"	10.1"
<b>Crown</b>												
MZ4 3104	5,500	II	12.4" 26.5"	31.0"	28.4"	8"	22.2"	5.0"	122	2.4"	1.0"	8.1"
MZ4 3404	5,500	II	12.4" 30.0"	34.5"	28.4"	8"	22.2"	5.0"	136	2.4"	1.0"	8.1"
MZ4 3454	5,500	II	12.4" 29.8"	34.3"	28.4"	8"	22.2"	5.0"	135	2.4"	1.0"	8.1"
MZ4 3754	5,500	II	12.4" 33.3"	37.8"	32.7"	8"	22.2"	5.0"	149	2.4"	1.0"	8.1"
MZ4 3804	5,500	II	12.4" 33.5"	38.0"	32.7"	8"	22.2"	5.0"	149	2.4"	1.0"	8.1"
MZ4 4354	5,500	II	12.4" 39.2"	43.7"	37.8"	8"	22.2"	5.0"	172	2.4"	1.0"	8.1"
MZ4 4404	5,500	II	12.4" 39.5"	44.0"	37.8"	8"	22.2"	5.0"	173	2.4"	1.0"	8.1"
MZ5 3804	6,500	III	12.4" 33.5"	38.0"	29.9"	8"	26.6"	5.0"	168	2.6"	1.0"	9.0"
MZ5 4404	6,500	III	12.4" 39.5"	44.0"	35.0"	8"	26.6"	5.0"	195	2.6"	1.0"	9.0"
<b>Doosan</b>												
MZ4 3821	5,500	II	12.4" 33.8"	38.3"	32.7"	8"	22.2"	5.0"	145	2.4"	1.0"	8.1"
MZ4 4321	5,500	II	12.4" 38.9"	43.4"	37.8"	8"	22.2"	5.0"	164	2.4"	1.0"	8.1"
MZ5 4021	6,500	III	12.4" 35.9"	40.4"	35.0"	8"	26.6"	5.0"	179	2.6"	1.0"	9.0"
MZ5 4321	6,500	III	12.4" 39.4"	43.9"	35.0"	8"	26.6"	5.0"	194	2.6"	1.0"	9.0"
MZ6 4721	10,000	III	15.4" 42.8"	47.8"	35.5"	8"	27					

Model	Capacity Lbs. @ 24"	Mounting Class	Opening Range out to out	Overall Width	Minimum Carriage Width	Total Sideshift	Height	Fork Support Width	Weight Lbs.	Effective Thickness	Horizontal Center of Gravity	Vertical Center of Gravity	
	Q	Bmin	Bmax	I	FL	S	D	A	W	LL	HCG	VCG	
<b>Hyster</b>													
MZ4 3305	5,500	II	12.4"	29.2"	33.7"	28.4"	8"	22.2"	5.0"	128	2.4"	1.0"	8.1"
MZ4 3356	5,500	II	12.4"	29.2"	33.7"	28.4"	8"	22.2"	5.0"	128	2.4"	1.0"	8.1"
MZ4 3505	5,500	II	12.4"	31.2"	35.7"	32.7"	8"	22.2"	5.0"	135	2.4"	1.0"	8.1"
MZ4 3556	5,500	II	12.4"	31.2"	35.7"	32.7"	8"	22.2"	5.0"	135	2.4"	1.0"	8.1"
MZ4 3605	5,500	II	12.4"	31.5"	36.0"	32.7"	8"	22.2"	5.0"	136	2.4"	1.0"	8.1"
MZ4 3705	5,500	II	12.4"	33.0"	37.5"	32.7"	8"	22.2"	5.0"	142	2.4"	1.0"	8.1"
MZ4 3805	5,500	II	12.4"	33.5"	38.0"	32.7"	8"	22.2"	5.0"	144	2.4"	1.0"	8.1"
MZ4 3856	5,500	II	12.4"	34.0"	38.5"	32.7"	8"	22.2"	5.0"	146	2.4"	1.0"	8.1"
MZ4 3905	5,500	II	12.4"	34.0"	38.5"	32.7"	8"	22.2"	5.0"	146	2.4"	1.0"	8.1"
MZ4 4205	5,500	II	12.4"	37.5"	42.0"	35.9"	8"	22.2"	5.0"	159	2.4"	1.0"	8.1"
MZ4 4256	5,500	II	12.4"	37.5"	42.0"	35.9"	8"	22.2"	5.0"	159	2.4"	1.0"	8.1"
MZ5 3805	6,500	III	12.4"	33.5"	38.0"	29.9"	8"	26.6"	5.0"	168	2.6"	1.0"	9.0"
MZ5 3905	6,500	III	12.4"	34.0"	38.5"	29.9"	8"	26.6"	5.0"	171	2.6"	1.0"	9.0"
MZ5 3856	6,500	III	12.4"	34.0"	38.5"	29.9"	8"	26.6"	5.0"	171	2.6"	1.0"	9.0"
MZ5 4205	6,500	III	12.4"	37.5"	42.0"	35.0"	8"	26.6"	5.0"	186	2.6"	1.0"	9.0"
MZ5 4256	6,500	III	12.4"	37.5"	42.0"	35.0"	8"	26.6"	5.0"	186	2.6"	1.0"	9.0"
MZ5 4856	6,500	III	12.4"	43.5"	48.0"	42.9"	8"	26.6"	5.0"	213	2.6"	1.0"	9.0"
MZ6 4205	10,000	III	15.4"	36.3"	42.0"	33.5"	8"	27.2"	6.0"	310	3.0"	1.4"	10.0"
MZ6 4766	10,000	III	15.4"	42.2"	47.3"	35.5"	8"	27.2"	6.0"	336	3.0"	1.4"	10.0"
MZ6 4805	10,000	III	15.4"	42.2"	48.0"	35.5"	8"	27.2"	6.0"	339	3.0"	1.4"	10.0"
MZ6 5366	10,000	III	15.4"	48.3"	53.3"	47.3"	8"	30.1"	6.0"	365	3.0"	1.4"	10.1"
MZ6 5416	10,000	III	15.4"	48.9"	54.0"	47.3"	8"	30.1"	6.0"	369	3.0"	1.4"	10.1"
MZ6 5966	10,000	III	15.4"	54.2"	59.3"	47.3"	8"	30.1"	6.0"	395	3.0"	1.4"	10.1"
MZ6 6005	10,000	III	15.4"	54.2"	60.0"	47.3"	8"	30.1"	6.0"	398	3.0"	1.4"	10.1"
MZ7R 4216	12,000	IV	15.4"	36.3"	42.0"	35.4"	8"	29.1"	6.0"	406	3.3"	1.5"	19.7"
MZ7R 4766	12,000	IV	15.4"	41.4"	47.3"	35.4"	8"	29.1"	6.0"	434	3.3"	1.5"	19.7"
MZ7R 4816	12,000	IV	15.4"	42.2"	48.0"	35.4"	8"	29.1"	6.0"	439	3.3"	1.5"	19.7"
MZ7R 5366	12,000	IV	15.4"	47.3"	53.3"	35.4"	8"	29.1"	6.0"	467	3.3"	1.5"	19.7"
MZ7R 5416	12,000	IV	15.4"	48.1"	54.0"	35.4"	8"	29.1"	6.0"	472	3.3"	1.5"	19.7"
MZ7R 5966	12,000	IV	15.4"	53.2"	59.1"	36.6"	8"	29.1"	6.0"	509	3.3"	1.6"	19.7"
MZ7R 6016	12,000	IV	15.4"	54.2"	60.0"	39.4"	8"	29.1"	6.0"	516	3.3"	1.6"	19.7"
MZ7 4216	15,000	IV	19.1"	35.5"	42.0"	35.4"	8"	29.1"	8.0"	443	3.3"	1.3"	19.8"
MZ7 4766	15,000	IV	19.1"	40.6"	47.3"	35.4"	8"	29.1"	8.0"	474	3.3"	1.4"	19.8"
MZ7 4816	15,000	IV	19.1"	41.4"	48.0"	35.4"	8"	29.1"	8.0"	478	3.3"	1.4"	19.8"
MZ7 5366	15,000	IV	19.1"	46.5"	53.3"	35.4"	8"	29.1"	8.0"	509	3.3"	1.4"	19.8"
MZ7 5416	15,000	IV	19.1"	47.3"	54.0"	35.4"	8"	29.1"	8.0"	514	3.3"	1.4"	19.8"
MZ7 5966	15,000	IV	19.1"	52.4"	59.1"	36.6"	8"	29.1"	8.0"	553	3.3"	1.4"	19.8"
MZ7 6016	15,000	IV	19.1"	53.4"	60.0"	39.4"	8"	29.1"	8.0"	558	3.3"	1.4"	19.8"
<b>Komatsu</b>													
MZ4 3107	5,500	II	12.4"	26.5"	31.0"	28.4"	8"	22.2"	5.0"	117	2.4"	1.0"	8.1"
MZ4 3427	5,500	II	12.4"	30.1"	34.6"	28.4"	8"	22.2"	5.0"	131	2.4"	1.0"	8.1"
MZ4 3627	5,500	II	12.4"	32.1"	36.6"	32.7"	8"	22.2"	5.0"	139	2.4"	1.0"	8.1"
MZ4 3707	5,500	II	12.4"	32.5"	37.0"	32.7"	8"	22.2"	5.0"	140	2.4"	1.0"	8.1"
MZ4 4107	5,500	II	12.4"	36.5"	41.0"	32.7"	8"	22.2"	5.0"	155	2.4"	1.0"	8.1"
MZ4 4907	5,500	II	12.4"	44.5"	49.0"	37.8"	8"	22.2"	5.0"	186	2.6"	1.1"	8.1"
MZ4 5307	5,500	II	12.4"	48.5"	53.0"	37.8"	8"	22.2"	5.0"	201	2.6"	1.1"	8.1"
MZ5 3707	6,500	III	12.4"	32.5"	37.0"	29.9"	8"	26.6"	5.0"	164	2.6"	1.0"	9.0"
MZ5 3827	6,500	III	12.4"	33.3"	37.8"	29.9"	8"	26.6"	5.0"	167	2.6"	1.0"	9.0"
MZ5 4107	6,500	III	12.4"	36.5"	41.0"	35.0"	8"	26.6"	5.0"	182	2.6"	1.0"	9.0"
MZ5 4227	6,500	III	12.4"	37.2"	41.7"	35.0"	8"	26.6"	5.0"	185	2.6"	1.0"	9.0"
MZ5 4907	6,500	III	12.4"	44.5"	49.0"	42.9"	8"	26.6"	5.0"	217	2.6"	1.0"	9.0"
MZ5 5307	6,500	III	12.4"	48.5"	53.0"	42.9"	8"	26.6"	5.0"	235	2.6"	1.0"	9.0"
MZ6 4237	10,000	III	15.4"	37.1"	42.1"	33.5"	8"	27.2"	6.0"	310	3.0"	1.4"	10.0"
MZ6 4637	10,000	III	15.4"	41.8"	46.8"	35.5"	8"	27.2"	6.0"	333	3.0"	1.4"	10.0"
<b>Linde</b>													
MZ4 3801	5,500	II	12.4"	34.1"	38.6"	32.7"	8"	22.2"	5.0"	146	2.4"	1.0"	8.1"
MZ4 4001	5,500	II	12.4"	36.4"	40.9"	35.9"	8"	22.2"	5.0"	155	2.4"	1.0"	8.1"
MZ4 4501	5,500	II	12.4"	40.8"	45.3"	37.8"	8"	22.2"	5.0"	172	2.4"	1.0"	8.1"
MZ5 4301	6,500	III	12.4"	38.5"	43.0"	35.0"	8"	26.6"	5.0"	190	2.6"	1.0"	9.0"
MZ5 4501	6,500	III	12.4"	40.8"	45.3"	35.0"	8"	26.6"	5.0"	201	2.6"	1.0"	9.0"
MZ5 5101	6,500	III	12.4"	46.7"	51.2"	42.9"	8"	26.6"	5.0"	227	2.6"	1.0"	9.0"
MZ6 4301	10,000	III	15.4"	37.1"	43.0"	33.5"	8"	27.2"	6.0"	315	3.0"	1.4"	10.0"
MZ6 4501	10,000	III	15.4"	39.4"	45.3"	33.5"	8"	27.2"	6.0"	326	3.0"	1.4"	10.0"
MZ6 5301	10,000	III	15.4"	47.3"	53.1"	35.5"	8"	27.2"	6.0"	364	3.0"	1.4"	10.0"

Model	Capacity Lbs. @ 24"	Mounting Class	Opening Range out to out	Overall Width	Minimum Carriage Width	Total Sideshift	Height	Fork Support Width	Weight Lbs.	Effective Thickness	Horizontal Center of Gravity	Vertical Center of Gravity	
	Q	Bmin	Bmax	I	FL	S	D	A	W	LL	HCG	VCG	
<b>Mitsubishi</b>													
MZ4 3208	5,500	II	12.4"	27.8"	32.3"	28.4"	8"	22.2"	5.0"	122	2.4"	1.0"	8.1"
MZ4 3228	5,500	II	12.4"	27.8"	32.3"	28.4"	8"	22.2"	5.0"	122	2.4"	1.0"	8.1"
MZ4 3608	5,500	II	12.4"	31.7"	36.2"	32.7"	8"	22.2"	5.0"	137	2.4"	1.0"	8.1"
MZ4 3628	5,500	II	12.4"	31.7"	36.2"	32.7"	8"	22.2"	5.0"	137	2.4"	1.0"	8.1"
MZ4 3908	5,500	II	12.4"	34.9"	39.4"	32.7"	8"	22.2"	5.0"	149	2.4"	1.0"	8.1"
MZ4 3928	5,500	II	12.4"	34.9"	39.4"	32.7"	8"	22.2"	5.0"	149	2.4"	1.0"	8.1"
MZ5 3708	6,500	III	12.4"	33.3"	37.8"	29.9"	8"	26.6"	5.0"	167	2.6"	1.0"	9.0"
MZ5 3728	6,500	III	12.4"	33.3"	37.8"	29.9"	8"	26.6"	5.0"	167	2.6"	1.0"	9.0"
MZ5 3908	6,500	III	12.4"	34.9"	39.4"	29.9"	8"	26.6"	5.0"	175	2.6"	1.0"	9.0"
MZ5 3928	6,500	III	12.4"	34.9"	39.4"	29.9"	8"	26.6"	5.0"	175	2.6"	1.0"	9.0"
MZ6 3908	10,000	III	15.4"	34.3"	39.4"	33.5"	8"	27.2"	6.0"	297	3.0"	1.4"	10.0"
MZ6 3928	10,000	III	15.4"	34.3"	39.4"	33.5"	8"	27.2"	6.0"	297	3.0"	1.4"	10.0"
MZ6 4428	10,000	III	15.4"	39.3"	44.3"	33.5"	8"	27.2"	6.0"	321	3.0"	1.4"	10.0"
MZ6 4608	10,000	III	15.4"	41.8"	46.8"	35.5"	8"	27.2"	6.0"	333	3.0"	1.4"	10.0"
MZ6 4628	10,000	III	15.4"	41.8"	46.8"	35.5"	8"	27.2"	6.0"	333	3.0"	1.4"	10.0"
MZ6 5908	10,000	III	15.4"	54.0"	59.1"	47.3"	8"	30.1"	6.0"	394	3.0"	1.4"	10.1"
MZ6 5928	10,000	III	15.4"	54.0"	59.1"	47.3"	8"	30.1"	6.0"	394	3.0"	1.4"	10.1"
<b>Tailift</b>													
MZ4 3619	5,500	II	12.4"	31.7"	36.2"	32.7"	8"	22.2"	5.0"	137	2.4"	1.0"	8.1"
MZ4 4019	5,500	II	12.4"	35.8"	40.3"	35.9"	8"	22.2"	5.0"	153	2.4"	1.0"	8.1"
MZ5 3819	6,500	III	12.4"	34.4"	38.9"	29.9"	8"	26.6"	5.0"	172	2.6"	1.0"	9.0"
MZ5 4519	6,500	III	12.4"	40.7"	45.2"	35.0"	8"	26.6"	5.0"	200	2.6"	1.0"	9.0"
MZ6 4519	10,000	III	15.4"	40.2"	45.2"	33.5"	8"	27.2"	6.0"	325	3.0"	1.4"	10.0"
MZ6 5119	10,000	III	15.4"	46.5"	51.5"	35.5"	8"	27.2"	6.0"	356	3.0"	1.4"	10.0"
<b>TCM</b>													
MZ4 3213	5,500	II	12.4"	28.0"	32.5"	28.4"	8"	22.2"	5.0"	123	2.4"	1.0"	8.1"
MZ4 3613	5,500	II	12.4"	32.0"	36.5"	32.7"	8"	22.2"	5.0"	138	2.4"	1.0"	8.1"
MZ4 3713	5,500	II	12.4"	32.5"	37.0"	32.7"	8"	22.2"	5.0"	140	2.4"	1.0"	8.1"
MZ4 3813	5,500	II	12.4"	33.5"	38.0"	32.7"	8"	22.2"	5.0"	144	2.4"	1.0"	8.1"
MZ4 4013	5,500	II	12.4"	36.4"	40.9"	35.9"	8"	22.2"	5.0"	155	2.4"	1.0"	8.1"
MZ5 4013	6,500	III	12.4"	36.4"	40.9"	35.0"	8"	26.6"	5.0"	181	2.6"	1.0"	9.0"
MZ5 4313	6,500	III	12.4"	38.8"	43.3"	35.0"	8"	26.6"	5.0"	192	2.6"	1.0"	9.0"
MZ5 4713	6,500	III	12.4"	43.1"	47.6"	42.9"	8"	26.6"	5.0"	211	2.6"	1.	

# Fork Positioners, Sideshifting



## Models MZ

Model	Capacity Lbs. @ 24"	Mounting Class	Opening Range out to out	Overall Width	Minimum Carriage Width	Total Sideshift	Height	Fork Support Width	Weight Lbs.	Effective Thickness	Horizontal Center of Gravity	Vertical Center of Gravity
	Q		Bmin Bmax	I	FL	S	D	A	W	LL	HCG	VCG
<b>UniCarriers</b>												
MZ4 3129	5,500	II	12.4" 26.5"	31.0"	28.4"	8"	22.2"	5.0"	117	2.4"	1.0"	8.1"
MZ4 3209	5,500	II	12.4" 27.9"	32.4"	28.4"	8"	22.2"	5.0"	123	2.4"	1.0"	8.1"
MZ4 3239	5,500	II	12.4" 27.9"	32.4"	28.4"	8"	22.2"	5.0"	123	2.4"	1.0"	8.1"
MZ4 3609	5,500	II	12.4" 31.7"	36.2"	32.7"	8"	22.2"	5.0"	137	2.4"	1.0"	8.1"
MZ4 3639	5,500	II	12.4" 31.7"	36.2"	32.7"	8"	22.2"	5.0"	137	2.4"	1.0"	8.1"
MZ4 3729	5,500	II	12.4" 32.5"	37.0"	32.7"	8"	22.2"	5.0"	140	2.4"	1.0"	8.1"
MZ4 4009	5,500	II	12.4" 35.6"	40.1"	32.7"	8"	22.2"	5.0"	152	2.4"	1.0"	8.1"
MZ4 4039	5,500	II	12.4" 35.6"	40.1"	32.7"	8"	22.2"	5.0"	152	2.4"	1.0"	8.1"
MZ4 4129	5,500	II	12.4" 36.5"	41.0"	35.9"	8"	22.2"	5.0"	155	2.4"	1.0"	8.1"
MZ4 4929	5,500	II	12.4" 44.5"	49.0"	37.8"	8"	22.2"	5.0"	186	2.6"	1.1"	8.1"
MZ4 5209	5,500	II	12.4" 48.1"	52.6"	37.8"	8"	22.2"	5.0"	199	2.6"	1.1"	8.1"
MZ4 5239	5,500	II	12.4" 48.1"	52.6"	37.8"	8"	22.2"	5.0"	199	2.6"	1.1"	8.1"
MZ5 3609	6,500	III	12.4" 31.7"	36.2"	29.9"	8"	26.6"	5.0"	160	2.6"	1.0"	9.0"
MZ5 3729	6,500	III	12.4" 32.5"	37.0"	29.9"	8"	26.6"	5.0"	164	2.6"	1.0"	9.0"
MZ5 3809	6,500	III	12.4" 34.0"	38.5"	29.9"	8"	26.6"	5.0"	171	2.6"	1.0"	9.0"
MZ5 4009	6,500	III	12.4" 35.6"	40.1"	35.0"	8"	26.6"	5.0"	178	2.6"	1.0"	9.0"
MZ5 4039	6,500	III	12.4" 35.6"	40.1"	35.0"	8"	26.6"	5.0"	178	2.6"	1.0"	9.0"
MZ5 4129	6,500	III	12.4" 36.5"	41.0"	35.0"	8"	26.6"	5.0"	182	2.6"	1.0"	9.0"
MZ5 4929	6,500	III	12.4" 44.5"	49.0"	42.9"	8"	26.6"	5.0"	217	2.6"	1.0"	9.0"
MZ5 5209	6,500	III	12.4" 48.1"	52.6"	42.9"	8"	26.6"	5.0"	233	2.6"	1.0"	9.0"
MZ5 5239	6,500	III	12.4" 48.1"	52.6"	42.9"	8"	26.6"	5.0"	233	2.6"	1.0"	9.0"
MZ6 3939	10,000	III	15.4" 34.3"	39.4"	33.5"	8"	27.2"	6.0"	297	3.0"	1.4"	10.0"
MZ6 4009	10,000	III	15.4" 35.1"	40.1"	33.5"	8"	27.2"	6.0"	300	3.0"	1.4"	10.0"
MZ6 4039	10,000	III	15.4" 35.1"	40.1"	33.5"	8"	27.2"	6.0"	300	3.0"	1.4"	10.0"
MZ6 4709	10,000	III	15.4" 42.0"	47.1"	35.5"	8"	27.2"	6.0"	335	3.0"	1.4"	10.0"
MZ6 5139	10,000	III	15.4" 46.1"	51.2"	33.5"	8"	27.2"	6.0"	355	3.0"	1.4"	10.0"
MZ6 5239	10,000	III	15.4" 47.5"	52.6"	33.5"	8"	27.2"	6.0"	362	3.0"	1.4"	10.0"
MZ6 5509	10,000	III	15.4" 50.3"	55.4"	47.3"	8"	30.1"	6.0"	376	3.0"	1.4"	10.1"
<b>Yale</b>												
MZ4 3216	5,500	II	12.4" 28.0"	32.5"	28.4"	8"	22.2"	5.0"	123	2.4"	1.0"	8.1"
MZ4 3336	5,500	II	12.4" 29.2"	33.7"	28.4"	8"	22.2"	5.0"	128	2.4"	1.0"	8.1"
MZ4 3356	5,500	II	12.4" 29.2"	33.7"	28.4"	8"	22.2"	5.0"	128	2.4"	1.0"	8.1"
MZ4 3556	5,500	II	12.4" 31.2"	35.7"	32.7"	8"	22.2"	5.0"	135	2.4"	1.0"	8.1"
MZ4 3636	5,500	II	12.4" 31.2"	35.7"	32.7"	8"	22.2"	5.0"	135	2.4"	1.0"	8.1"
MZ4 3816	5,500	II	12.4" 34.0"	38.5"	32.7"	8"	22.2"	5.0"	146	2.4"	1.0"	8.1"
MZ4 3836	5,500	II	12.4" 34.0"	38.5"	32.7"	8"	22.2"	5.0"	146	2.4"	1.0"	8.1"
MZ4 3856	5,500	II	12.4" 34.0"	38.5"	32.7"	8"	22.2"	5.0"	146	2.4"	1.0"	8.1"
MZ4 3916	5,500	II	12.4" 34.5"	39.0"	32.7"	8"	22.2"	5.0"	148	2.4"	1.0"	8.1"
MZ4 4216	5,500	II	12.4" 37.5"	42.0"	35.9"	8"	22.2"	5.0"	159	2.4"	1.0"	8.1"
MZ4 4236	5,500	II	12.4" 37.5"	42.0"	35.9"	8"	22.2"	5.0"	159	2.4"	1.0"	8.1"
MZ4 4256	5,500	II	12.4" 37.5"	42.0"	35.9"	8"	22.2"	5.0"	159	2.4"	1.0"	8.1"

Model	Capacity Lbs. @ 24"	Mounting Class	Opening Range out to out	Overall Width	Minimum Carriage Width	Total Sideshift	Height	Fork Support Width	Weight Lbs.	Effective Thickness	Horizontal Center of Gravity	Vertical Center of Gravity
	Q		Bmin Bmax	I	FL	S	D	A	W	LL	HCG	VCG
MZ5 3816	6,500	III	12.4" 34.0"	38.5"	29.9"	8"	26.6"	5.0"	171	2.6"	1.0"	9.0"
MZ5 3836	6,500	III	12.4" 34.0"	38.5"	29.9"	8"	26.6"	5.0"	171	2.6"	1.0"	9.0"
MZ5 3856	6,500	III	12.4" 34.0"	38.5"	29.9"	8"	26.6"	5.0"	171	2.6"	1.0"	9.0"
MZ5 3916	6,500	III	12.4" 34.5"	39.0"	29.9"	8"	26.6"	5.0"	173	2.6"	1.0"	9.0"
MZ5 4216	6,500	III	12.4" 37.5"	42.0"	35.0"	8"	26.6"	5.0"	186	2.6"	1.0"	9.0"
MZ5 4236	6,500	III	12.4" 37.5"	42.0"	35.0"	8"	26.6"	5.0"	186	2.6"	1.0"	9.0"
MZ5 4256	6,500	III	12.4" 37.5"	42.0"	35.0"	8"	26.6"	5.0"	186	2.6"	1.0"	9.0"
MZ5 4816	6,500	III	12.4" 43.5"	48.0"	42.9"	8"	26.6"	5.0"	213	2.6"	1.0"	9.0"
MZ5 4856	6,500	III	12.4" 43.5"	48.0"	42.9"	8"	26.6"	5.0"	213	2.6"	1.0"	9.0"
MZ6 4216	10,000	III	15.4" 37.1"	42.0"	33.5"	8"	27.2"	6.0"	310	3.0"	1.4"	10.0"
MZ6 4236	10,000	III	15.4" 36.3"	42.0"	33.5"	8"	27.2"	6.0"	310	3.0"	1.4"	10.0"
MZ6 4766	10,000	III	15.4" 42.2"	47.3"	35.5"	8"	27.2"	6.0"	336	3.0"	1.4"	10.0"
MZ6 4816	10,000	III	15.4" 43.0"	48.0"	35.5"	8"	27.2"	6.0"	339	3.0"	1.4"	10.0"
MZ6 4836	10,000	III	15.4" 42.2"	48.0"	35.5"	8"	27.2"	6.0"	339	3.0"	1.4"	10.0"
MZ6 5366	10,000	III	15.4" 48.3"	53.3"	47.3"	8"	30.1"	6.0"	365	3.0"	1.4"	10.1"
MZ6 5416	10,000	III	15.4" 48.9"	54.0"	47.3"	8"	30.1"	6.0"	369	3.0"	1.4"	10.1"
MZ6 5966	10,000	III	15.4" 54.2"	59.3"	47.3"	8"	30.1"	6.0"	395	3.0"	1.4"	10.1"
MZ6 6016	10,000	III	15.4" 55.0"	60.0"	47.3"	8"	30.1"	6.0"	398	3.0"	1.4"	10.1"
MZ6 6036	10,000	III	15.4" 54.2"	60.0"	47.3"	8"	30.1"	6.0"	398	3.0"	1.4"	10.1"
MZ7R 4266	12,000	IV	15.4" 36.3"	42.0"	35.4"	8"	29.1"	6.0"	406	3.3"	1.5"	19.7"
MZ7R 4766	12,000	IV	15.4" 41.4"	47.3"	35.4"	8"	29.1"	6.0"	434	3.3"	1.5"	19.7"
MZ7R 4866	12,000	IV	15.4" 42.2"	48.0"	35.4"	8"	29.1"	6.0"	439	3.3"	1.5"	19.7"
MZ7R 5366	12,000	IV	15.4" 47.3"	53.3"	35.4"	8"	29.1"	6.0"	467	3.3"	1.5"	19.7"
MZ7R 5466	12,000	IV	15.4" 48.1"	54.0"	35.4"	8"	29.1"	6.0"	472	3.3"	1.5"	19.7"
MZ7R 5966	12,000	IV	15.4" 53.2"	59.1"	36.6"	8"	29.1"	6.0"	509	3.3"	1.6"	19.7"
MZ7R 6066	12,000	IV	15.4" 54.2"	60.0"	39.4"	8"	29.1"	6.0"	516	3.3"	1.6"	19.7"
MZ7 4266	15,000	IV	19.1" 35.5"	42.0"	35.4"	8"	29.1"	8.0"	443	3.3"	1.3"	19.8"
MZ7 4766	15,000	IV	19.1" 40.6"	47.3"	35.4"	8"	29.1"	8.0"	474	3.3"	1.4"	19.8"
MZ7 4866	15,000	IV	19.1" 41.4"	48.0"	35.4"	8"	29.1"	8.0"	478	3.3"	1.4"	19.8"
MZ7 5366	15,000	IV	19.1" 46.5"	53.3"	35.4"	8"	29.1"	8.0"	509	3.3"	1.4"	19.8"
MZ7 5466	15,000	IV	19.1" 47.3"	54.0"	35.4"	8"	29.1"	8.0"	514	3.3"	1.4"	19.8"
MZ7 5966	15,000	IV	19.1" 52.4"	59.1"	36.6"	8"	29.1"	8.0"	553	3.3"	1.4"	19.8"
MZ7 6066	15,000	IV	19.1" 53.4"	60.0"	39.4"	8"	29.1"	8.0"	558	3.3"	1.4"	19.8"

### Notes:

- Two hydraulic functions required.
- MZ4-MZ5 accepted fork width 3", 4" and 5".
- MZ6-MZ7R accepted fork width 4", 5" and 6".
- MZ7 accepted fork width 6", 7" and 8".
- Forks are not included in the attachment price.
- Standard lift truck forks can be fitted without any modification.
- Weight and center of gravity are given without forks.
- OSHA or state regulations may require the installation of backrests. We suggest that you check your use of the fork positioner for these requirements.
- Last two digits in the model number determine load backrest drill pattern.

### Hydraulic functions and hydraulic pressure recommendations

Model	Fork Positioner Pressure		Sideshifting Pressure		Hydraulic Functions
	Minimum PSI	Maximum PSI*	Minimum PSI	Maximum PSI	
<b>Fork Positioners</b>					
MZ 4 - MZ 5	450	3,100	1,700	3,100	2
MZ 6	1,400	3,100	1,700	3,100	2

### Options:

- Non-sideshifting models.
- Load backrest.
- Sequence valve available on all models.
- Ask for Bolzoni ready-to-ship forks.



### Oil flow rate recommendations

Model	Oil Flow Rate, Fork Positioner			Oil Flow Rate, Sideshifter		
	Minimum GPM	Recommended GPM	Maximum GPM	Minimum GPM	Recommended GPM	Maximum GPM
<b>Fork Positioners</b>						
MZ 4 - MZ 5	1	2	2	1	3	4
MZ 6	1	2	3	1	3	5