

# Paper Roll Clamps

## Models RA-NJ



Series RA-NJ paper roll clamps are an ideal solution for all professional paper handling. A variety of applications can be found in paper mills, harbors, paper warehouses and transport companies.

The clamps are designed for vertical and horizontal handling of 1 - 2 paper rolls. Several model sizes are available with a wide capacity and roll range choice.

Depending on the chosen model, RA-NJ series clamps are able to handle paper rolls from 11,000 up to 15,400 Lbs, with maximum paper roll diameter from 63" up to 98".

Pivoting arm movement, with short and long arms, provides a wide roll range. Long arm is split to enable safe and non-damaging handling of one or two paper rolls. The short arm is hydraulically positionable to provide a wider roll range.

Well-proven, 180-degree rotation with a rack-and-pinion mechanism gives fast and high-torque rotation. Vertical end positions have a hydraulic cushioning.

Several contact pad options available.

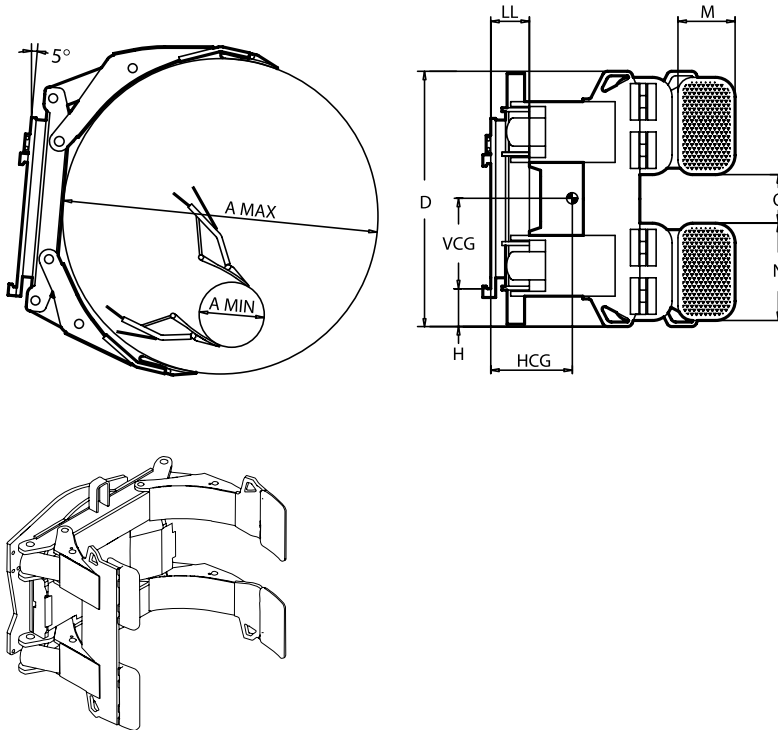


# Paper Roll Clamps, 180-degree Rotation

Models RA-NJ

**Range:** 11,000 - 15,400 Lbs.

- Rotating paper roll clamp for vertical and horizontal roll handling of 1-2 rolls.
- Pivoting arm movement. Short and long arms. Split long arm. Several contact pad options in standard series.
- 180-degree rotation, with hydraulic cushioning in the vertical positions.
- Positionable short arm.



Model	Capacity Lbs.	Load Center	Roll Range	Height	Weight Lbs.	Horizontal Center of Gravity	Vertical Center of Gravity	Effective Thickness	Contact Pads	Contact Pad Gap	Mounting Height	Mounting Class
	Q	BP	A	D	W	HCG	VCG	LL	M x N	O	H	
RA-600-NJ	13,200	31"	20"-63"	52.7"	3,660	14.7"	18.5"	9.6"	11.0" x 19.7"	11.8"	7.5"	IV
RA-700-NSJ	15,400	26"	20"-63"	52.7"	3,620	11.6"	18.5"	9.6"	11.0" x 19.7"	11.8"	7.5"	IV
RA-500-NLJ	11,000	49"	24"-98"	56.7"	4,690	17.9"	18.7"	10.2"	15.7" x 23.6"	7.9"	①	①
RA-530-NLJ	11,650	45"	22"-91"	56.7"	4,560	17.1"	18.7"	10.2"	15.7" x 23.6"	7.9"	①	①
RA-560-NLJ	12,300	41"	23"-83"	56.7"	4,450	16.3"	18.7"	10.2"	15.7" x 23.6"	7.9"	①	①
RA-630-NLJ	13,900	36"	20"-72"	56.7"	4,120	15.4"	18.7"	10.2"	15.7" x 23.6"	7.9"	①	①
RA-700-NJ	15,400	31"	20"-63"	56.7"	4,030	15.0"	18.7"	10.2"	15.7" x 23.6"	7.9"	①	①

## Notes:

- Two hydraulic functions required.
- See hydraulic specifications page for pressure and flow rate recommendations.
- Standard contact pads: rubber faced or steel sprayed.
- Minimum 5-degree forward tilt on lift mast is required for horizontal handling.
- For 0-degree tilt, special arms are available. Consult Bolzoni.
- ① Consult Bolzoni Auramo.

## Options:

- Special roll ranges.
- Contact pad options:
  - polyurethane faced
  - full length contact pads
  - cast pads not available.

