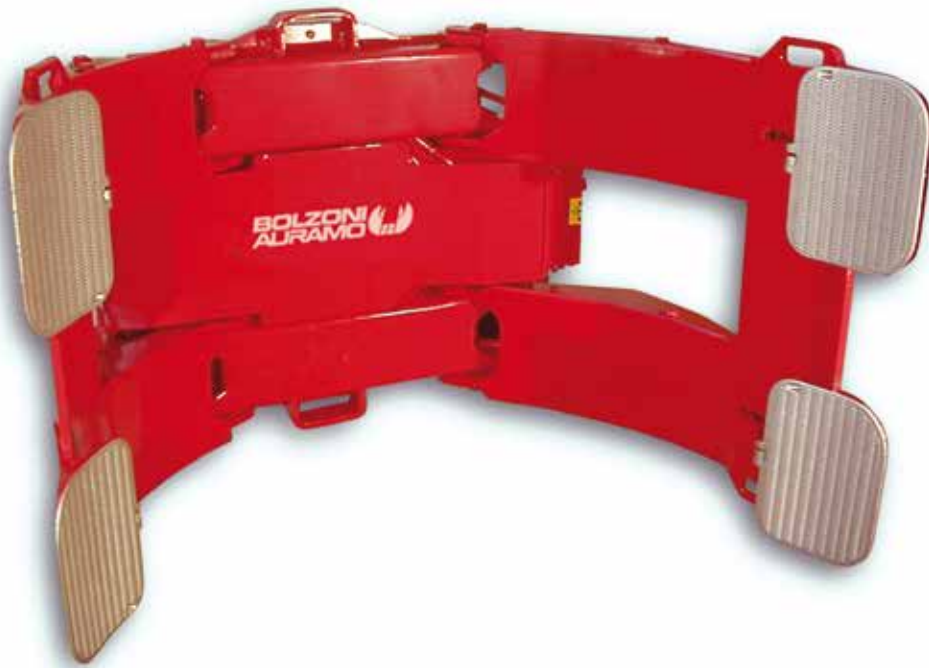


Paper Roll Clamps

Models RA-N



The Bolzoni Auramo RA-N model paper roll clamps are an ideal solution for all professional paper handling. A variety of applications can be found in paper mills, harbors, paper warehouses and transport companies.

RA-N clamps are designed for vertical and horizontal handling of single paper rolls. Several models are available with a wide capacity and roll range choice.

Depending on the chosen model, the clamps are able to handle paper rolls from 11,000 up to 15,400 Lbs, with maximum paper

roll diameter from 63" up to 98".

Pivoting arm movement with short and long arms provides wide roll range. The short arm is hydraulically positionable to provide a wider roll range.

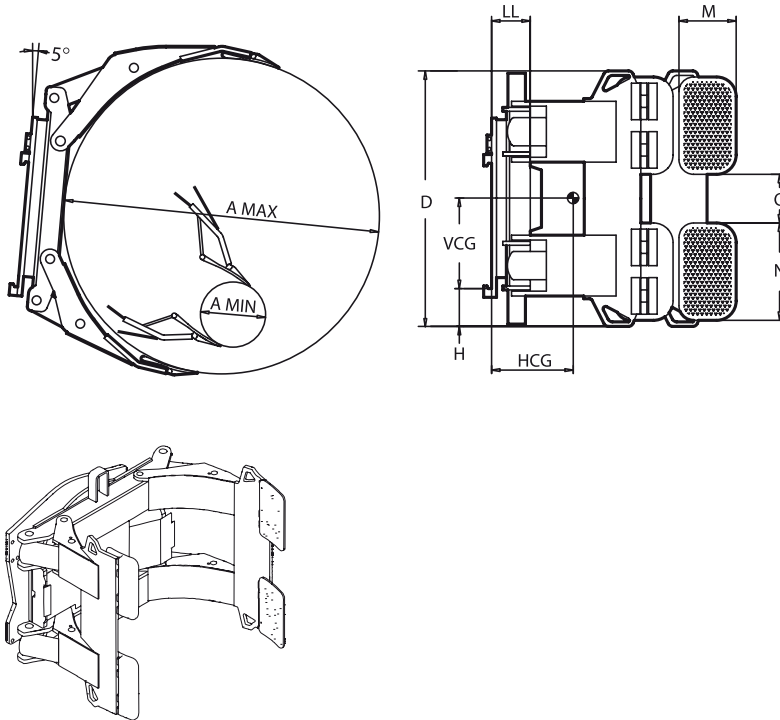
Well-proven, 180-degree rotation with a rack-and-pinion mechanism gives fast and high-torque rotation. Vertical end positions have a hydraulic cushioning. This reduces dynamic loads directed to paper roll and clamp, and reduces damage.

Several contact pad options available.



Range: 11,000 - 15,400 Lbs.

- Rotating paper roll clamp for vertical and horizontal handling of single rolls.
- Pivoting arm movement. Mobile long arm and positionable short arm. Several contact pad options in standard series.
- 180-degree rotation. Hydraulic cushioning in the vertical positions.



Model	Capacity Lbs.	Load Center	Roll Range	Height	Weight Lbs.	Horizontal Center of Gravity	Vertical Center of Gravity	Effective Thickness	Contact Pads	Contact Pad Gap	Mounting Height	Mounting Class
	Q	BP	A	D	W	HCG	VCG	LL	M x N	O	H	
RA-600-N	13,200	31"	20"-63"	52.8"	3,700	14.9"	18.5"	9.6"	11.0" x 19.7"	11.8"	7.5"	IV
RA-700-NS	15,400	26"	20"-63"	52.8"	3,660	11.8"	18.5"	9.6"	11.0" x 19.7"	11.8"	7.5"	IV
RA-500-NL	11,000	49"	24"-98"	56.7"	4,740	18.1"	18.7"	10.2"	15.7" x 23.6"	7.9"	①	①
RA-530-NL	11,650	45"	22"-91"	56.7"	4,600	17.1"	18.7"	10.2"	15.7" x 23.6"	7.9"	①	①
RA-560-NL	12,300	41"	23"-83"	56.7"	4,490	16.3"	18.7"	10.2"	15.7" x 23.6"	7.9"	①	①
RA-630-NL	13,900	36"	20"-72"	56.7"	4,190	15.4"	18.7"	10.2"	15.7" x 23.6"	7.9"	①	①
RA-700-N	15,400	31"	20"-63"	56.7"	4,070	15.0"	18.7"	10.2"	15.7" x 23.6"	7.9"	①	①

Notes:

- Two hydraulic functions required.
 - See hydraulic specifications page for pressure and flow rate recommendations.
 - Standard contact pads: rubber faced or steel sprayed.
 - Minimum 5-degree forward tilt on lift mast is required for horizontal handling.
 - For 0-degree tilt, special arms are available. Consult Bolzoni.
- ① Consult Bolzoni Auramo.

Options:

- Special roll ranges.
- Contact pad options:
 - polyurethane faced
 - full length contact pads
 - cast pads not available.

