

# Rotators

## Models RC



The Bolzoni Auramo RC model rotator is suitable for all applications where the working cycles require load rotation or emptying of containers.

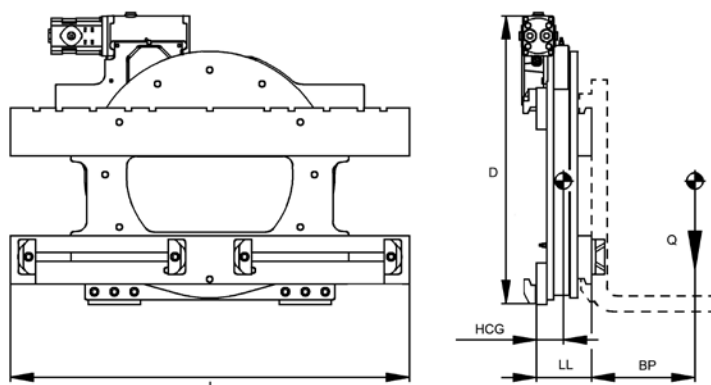
A variety of applications can be found in metallurgical, chemical, automotive, recycling, waste disposal and in food processing operations.

A wide range of capacities ensures that the correct and most-effective unit is selected for every application.

### Features:

- 360-degree rotator with ITA castellated fork carriage for easy and fast forks positioning. Continuous rotation both ways.
- Safe, easy and fast forks mounting and positioning thanks to new fork fixing system.
- Open centre design and minimized overall dimensions ensure excellent visibility.
- Motor-gear on the right side grants optimal visibility.
- High efficiency hydraulic motor with reduced displacement gives increased speed and high rotation torque with lower use of oil.
- Less maintenance thanks to reduced wear of components.





**Range:** 2,700 - 15,200 Lbs.

- 360-degree rotator with ITA fork carriage for all applications requiring rotation. Commonly used in industries where the working cycles require rotation or emptying of boxes or containers.
- Fork carriage welded to the rotating frame.
- Fast and high-torque rotation.
- Continuous rotation both ways.
- Open centre design, and minimized overall dimensions, ensure excellent visibility.
- New fork fixing system grants safe and easy fork positioning.
- Motor-gear box on the right (driver side) provides optimal visibility.
- Double scraper to protect the bearing.

Model	Capacity Lbs.	Load Center	Fork Carriage Width	Min Carriage Width	Max. Fork Spread	Weight Lbs.	Horizontal Center of Gravity	Vertical Center of Gravity	Effective Thickness	Max. Torque	Rotation Speed "rpm"	Mounting Class
	Q	BP	I	FL	FS	W	HCG	VCG	LL	In./Lbs.	RPM <sup>(1)</sup>	
RC 15 10A	2,700	24"	38.6"	22.9"	34.1"	369	2.9"	11.0"	5.6"	54,000	4.4	II
RC 20 10A	3,600	24"	38.6"	22.9"	34.1"	375	3.0"	11.0"	5.6"	54,000	4.4	II
RC 25 10A	4,500	24"	38.6"	22.9"	34.1"	404	3.0"	11.2"	5.6"	73,000	4.4	II
RC 35 11B	6,300	24"	45.3"	34.3"	39.4"	678	3.3"	13.3"	6.3"	107,000	5.4	III
RC 40 11B	7,200	24"	45.3"	34.3"	39.4"	689	3.6"	13.7"	6.3"	107,000	5.4	III
RC 45 12B	8,700	24"	49.2"	34.3"	43.1"	760	3.6"	13.2"	6.3"	107,000	5.4	III
RC 45 12C	8,700	24"	49.2"	43.7"	43.1"	1,050	4.1"	12.9"	8.2"	107,000	5.4	②
RC 55 15C	9,900	24"	55.1"	35.4"	48.8"	1,328	3.6"	19.1"	7.3"	176,000	3.5	IV
RC 55 17C	12,000	24"	68.5"	35.5"	61.9"	1,380	4.1"	16.0"	7.3"	176,000	3.5	IV
FG 70 17C	15,200	24"	68.5"	33.9"	65.3"	1,700	4.5"	16.0"	7.3"	131,000	3.5	IV

### Notes:

- One hydraulic function.
- Rotators are delivered without forks. The majority of lift truck forks can be used without any modifications.
- Forks are available on request, please consult Bolzoni Auramo.
- Mountings: Standard ITA mounting.
- Price does not include connection hoses.
- ① Rotation speed with recommended oil flow rate.
- For lift truck with a very low oil flow it is advisable to fit a dual pilot check valve to the motor unit inlet.
- Consult for maximum operating pressure.
- If the lift truck connection pressure exceeds the maximum operating pressure, separate pressure relief valves are required.
- The rotator can accept the installation of a third hook on the forks.
- Hooking to rotate and to empty cases or boxes.
- ② On the forklift truck carriage: class IV  
On the attachment fork carriage: class III

### On request:

- Other fork carriage widths available, please consult Bolzoni Auramo.
- Separate sideshift.
- ITA Lower Quick Disconnect Hooks. The lower quick disconnect hooks can be manually opened.
- Rotation stop at 180° with hydraulic dumper. Please specify rotation direction.
- Side support fork arm.
- Fishery option with galvanized paint.
- Bin hold down Class II and III.

