

Paper Roll Clamps

Models RA-NJ



Series RA-NJ paper roll clamps are an ideal solution for all professional paper handling. A variety of applications can be found in paper mills, harbors, paper warehouses and transport companies.

The clamps are designed for vertical and horizontal handling of 1 - 2 paper rolls. Several model sizes are available with a wide capacity and roll range choice.

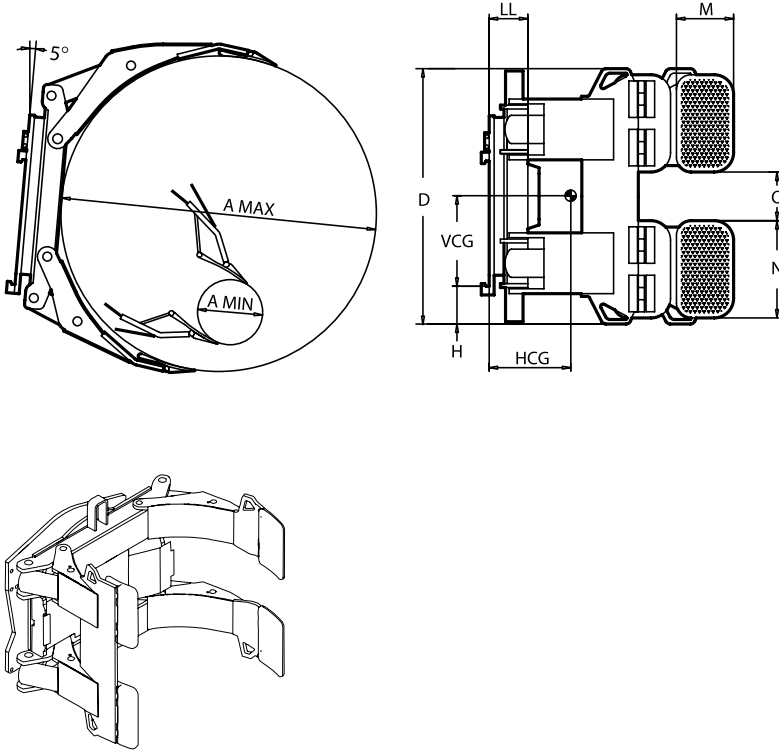
Depending on the chosen model, RA-NJ series clamps are able to handle paper rolls from 5.000 kg up to 7.000 kg, with maximum paper roll diameter from 1.600 mm up to 2.500 mm.

Pivoting arm movement, with short and long arms, provides a wide roll range. Long arm is split to enable safe and non-damaging handling of one or two paper rolls. The short arm is hydraulically positionable to provide a wider roll range.

Well-proven, 180-degree rotation with a rack-and-pinion mechanism gives fast and high-torque rotation. Vertical end positions have a hydraulic cushioning.

Several contact pad options available.





Range: 5000 Kg - 7000 Kg

- Rotating paper roll clamp for vertical and horizontal roll handling of 1-2 rolls.
- Pivoting arm movement. Short and long arms. Split long arm. Several contact pad options in standard series.
- 180-degree rotation, with hydraulic cushioning in the vertical positions.
- Positionable short arm.

| Model | Capacity | Load Centre | Roll Range | Height | Weight | Horizontal Centre of Gravity | Vertical Centre of Gravity | Effective Thickness | Contact Pads | Contact Pad Gap | Mounting Height | Mounting Class |
|------------|----------|-------------|------------|---------|---------|------------------------------|----------------------------|---------------------|--------------|-----------------|-----------------|----------------|
| | Q kg | BP mm | A mm | D mm | W Kg | HCG mm | VCG mm | LL mm | M x N mm | O mm | H mm | ISO 2328 |
| RA-500-NLJ | 5000 | 1250 | 600-2500 | 1440 | 2130 | 455 | 475 | 260 | 400x600 | 200 | 230 | 4 A HD |
| RA-515-NLJ | 5150 | 1200 | 600-2400 | 1440 | 2100 | 445 | 475 | 260 | 400x600 | 200 | 230 | 4 A HD |
| RA-530-NLJ | 5300 | 1150 | 550-2300 | 1440 | 2070 | 435 | 475 | 260 | 400x600 | 200 | 230 | 4 A HD |
| RA-550-NLJ | 5500 | 1100 | 550-2200 | 1440 | 2045 | 425 | 475 | 260 | 400x600 | 200 | 230 | 4 A HD |
| RA-560-NLJ | 5600 | 1050 | 580-2100 | 1440 | 2020 | 415 | 475 | 260 | 400x600 | 200 | 230 | 4 A HD |
| RA-580-NLJ | 5800 | 1000 | 500-2000 | 1440 | 1980 | 410 | 475 | 260 | 400x600 | 200 | 230 | 4 A HD |
| RA-600-NLJ | 6000 | 950 | 500-1900 | 1440 | 1930 | 390 | 475 | 260 | 400x600 | 200 | 230 | 4 A HD |
| RA-630-NLJ | 6300 | 915 | 500-1830 | 1440 | 1870 | 390 | 475 | 260 | 400x600 | 200 | 230 | 4 A HD |
| RA-660-NLJ | 6600 | 850 | 500-1700 | 1440 | 1850 | 385 | 475 | 260 | 400x600 | 200 | 230 | 4 A HD |
| RA-700-NJ | 7000 | 800 | 500-1600 | 1440 | 1830 | 380 | 475 | 260 | 400x600 | 200 | 230 | 4 A HD |

Notes:

- Two hydraulic functions required.
- Standard contact pads: rubber faced or steel sprayed.
- Minimum 5-degree forward tilt on lift mast is required for horizontal handling.
- For 0-degree tilt, special arms are available. Consult Bolzoni.

Options:

- Special roll ranges.
- Contact pad options:
 - polyurethane faced
 - full length contact pads
 - cast pads not available.

