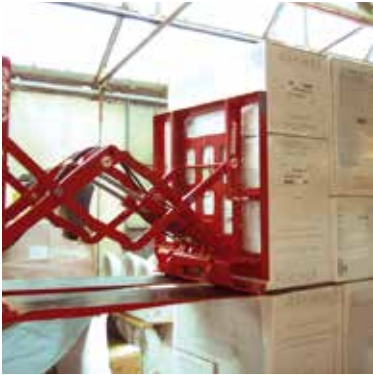
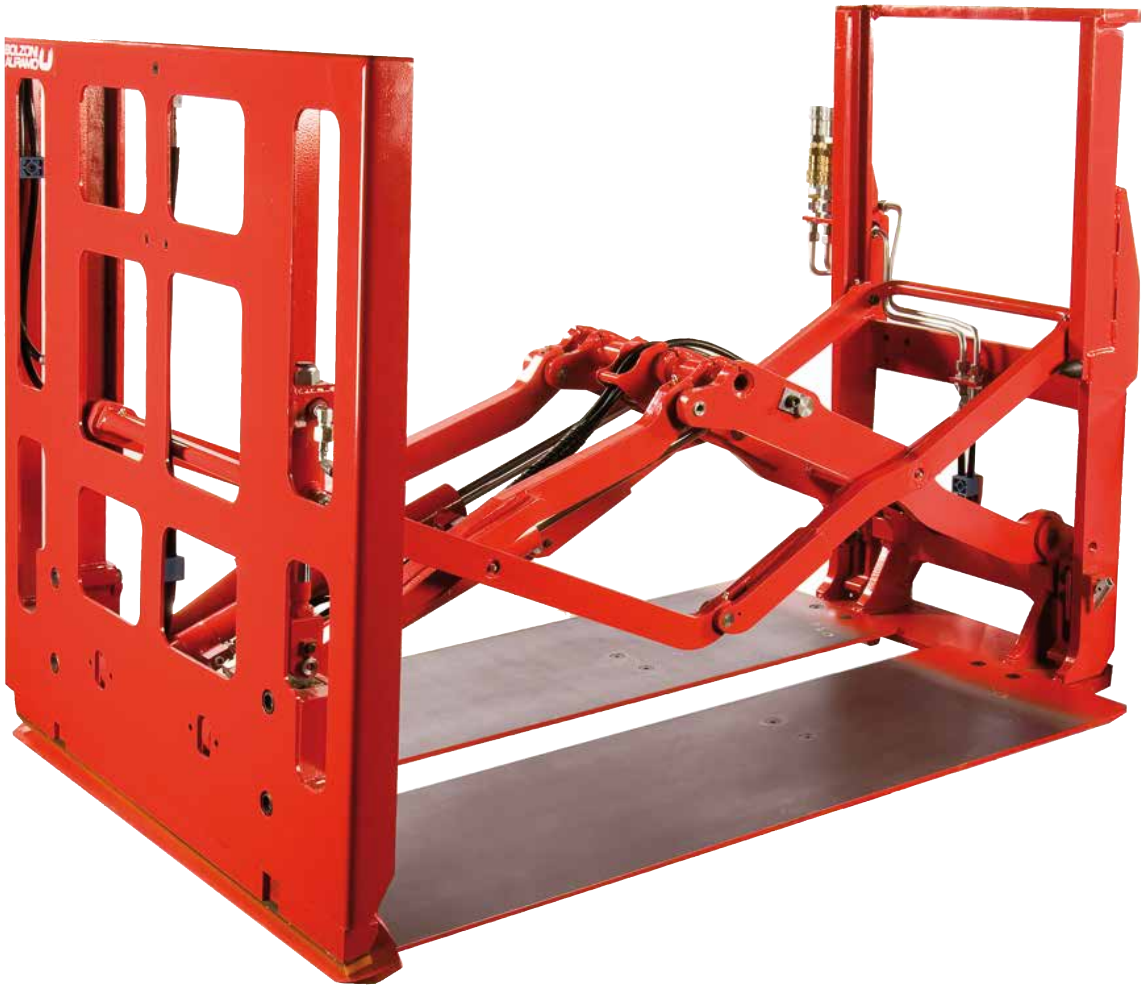


Push Pulls



Productivity, flexibility, safety

Products of every kind are being handled on slipsheets instead of wooden pallets. Slipsheets are being used in various industries such as food, beverage, glassware, building materials, agricultural, paper, chemical, hardware and the automotive parts industry.

Bolzoni Auramo has the solution to all your slipsheet handling needs. A complete range of Push Pulls engineered and designed for today's most demanding applications. The Dedicated Push Pull for the customer using exclusively slipsheeted loads and the Easy Rider Fork-Mounted Push Pull for operations requiring slipsheets on an intermittent or part time basis.

Features:

- Wide windows in the push plate and gripper jaw allows for excellent visibility in both retracted and extended positions when clamping the slip-sheet.
- 4 degrees tilting faceplate, when fully extended, helps prevent any damage to the product.
- Gripper jaw is actuated by two cylinders, assuring a perfect force distribution on the clamping bar to help prevent any damage to the slipsheet.
- Hydraulic system protected with steel cover and plastic wire wrapping.
- Pressure relief valve guarantees structure and load protection.
- The vertical position of the pad is adjustable should the pad become worn or damaged, resulting in less maintenance costs.
- Rubber-surfaced gripper bar for better slipsheet clamping.
- Pantograph actuated by two cylinders for better distribution of pushing and pulling forces.
- Grease fittings in pantograph mechanism group.
- Platens manufactured in high tensile steel, for stronger and thinner structure.
- Chamfered platen corners prevent tears in the slipsheet and damage to the product.
- Noiseless handling thanks to design optimization and end stroke shock absorber.



Dedicated Push Pull

A Dedicated Push Pull enables you to handle, ship and store a wide variety of boxed, bagged, unboxed, cylindrical or rolled goods using slipsheets.

The results are lower pallet costs, reduced pallet handling labor and pallet returns, and higher payloads.

- Integral sideshifting for an easier load positioning.
- Platens feature smooth Weldox 700 steel and are easily adjusted by hand or by optional hydraulics.
- More power delivered to the payload with two stronger cylinders.
- Easy installation features.
- Quick disconnect lower hooks.
- ITA Class II and III mounting.



Easy Rider Fork-Mounted Push Pull

Ideal model for those companies where the handling of goods on slip sheets is not sufficient to justify the use of a dedicated fork lift truck.

- Thanks to an extremely quick and effective new fitting system, the Fork-Mounted Push Pull model Easy Rider offers the possibility to convert a conventional fork lift truck with forks into a specially equipped machine to handle loads on slip sheets. Increasing productivity without any compromise for safety.
- The driver just has to position the forks under the platens, tilt the mast forward, lift the carriage up, engage the upper hooks, lock the lower mounting hooks in place and connect the hydraulic couplers. These simple steps now make the Easy Rider ready for operation.
- Bolt-on platens can be adjusted to accommodate different overall widths.
- Quick disconnect lower hooks.
- ITA Class II and III mounting.



Mark 55™ Push Pull

The Mark 55 Push Pull is specifically designed to handle both slipsheeted and palletized loads. The Brudi Mark 55 Push Pull is also engineered to allow for four-way handling of the Mark 55 block pallet.

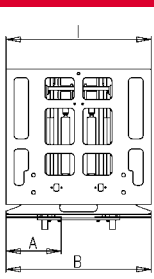
- The hydraulically adjustable outer platens slide on chromed bars allowing for both slip sheet and pallet handling.
- Adjustable platen inclination for tip alignment, to avoid load damage.
- Sideshifting function capability.
- Solenoid valve included.
- Four degree tilting push plate.
- Quick disconnect lower hooks are standard.
- ITA Class II mounting.



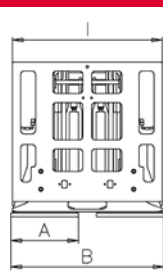
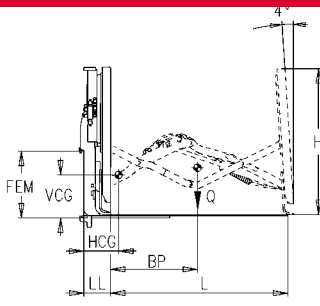
Outer platens closed for pallet handling.



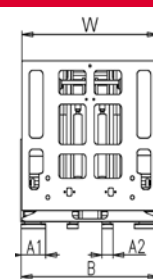
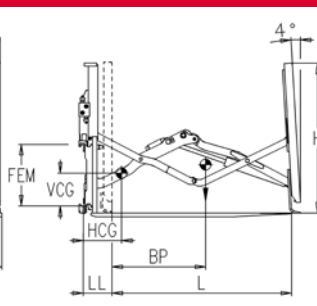
Outer platens opened for slipsheet handling.



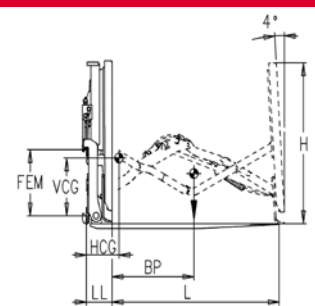
Easy Rider Fork-Mounted Push Pull



Dedicated Push Pull



Dedicated Push Pull Mark 55™



Model	Capacity Lbs.	Load Center	Platen Size	Stroke	Platen Out-to-Out	Push Plate	Thickness	Minimum Carriage Width	Horizontal Center of Gravity	Vertical Center of Gravity	Weight Lbs.	Mounting Class
	Q	BP	A x L	B	I x H	LL		HCG	VCG	W		
Easy Rider, Push Pulls, Fork Mounted												
PFZE035S1548-34W	3,500	24"	15" x 48"	49.3"	33.9"	39.4" x 39.8"	7.7"	33.7"	9.4"	11.6"	773	II
PFZE035S1548-40W	3,500	24"	15" x 48"	49.3"	39.1"	39.4" x 39.8"	7.7"	33.7"	9.4"	11.6"	773	II
PFZE045S1548-34W	4,500	24"	15" x 48"	49.3"	33.9"	39.4" x 39.8"	7.7"	33.7"	9.6"	12.0"	795	II
PFZE045S1548-40W	4,500	24"	15" x 48"	49.3"	39.1"	39.4" x 39.8"	7.7"	33.7"	9.6"	12.0"	795	II
PFZE045S1548-34WB	4,500	24"	15" x 48"	49.3"	33.9"	39.4" x 39.8"	8.9"	36.0"	10.0"	12.2"	852	III
PFZE045S1548-40WB	4,500	24"	15" x 48"	49.3"	39.1"	39.4" x 39.8"	8.9"	36.0"	10.0"	12.2"	852	III

Brudi, Push Pulls, Dedicated

Non-Sideshifting with Adjustable Platens, 1 Function

PANHO35A1548	3,500	24"	15" x 48"	49.3"	34"-42"	39.4" x 39.8"	7.5"	-	11.5"	8.3"	1,144	II
PANHO45A1548	4,500	24"	15" x 48"	49.3"	34"-42"	39.4" x 39.8"	7.5"	-	11.6"	8.5"	1,148	II
PANHO45B1548	4,500	24"	15" x 48"	49.3"	34"-42"	39.4" x 39.8"	9.4"	-	12.5"	10.1"	1,296	III

Sideshifting with Adjustable Platens, 2 Functions

PASHO35A1548	3,500	24"	15" x 48"	49.3"	34"-42"	39.4" x 39.8"	7.5"	-	11.5"	8.2"	1,148	II
PASHO45A1548	4,500	24"	15" x 48"	49.3"	34"-42"	39.4" x 39.8"	7.5"	-	11.6"	8.4"	1,152	II
PASHO45B1548	4,500	24"	15" x 48"	49.3"	34"-42"	39.4" x 39.8"	9.4"	-	12.5"	10.0"	1,300	III

Non-Sideshifting with Hydraulically Adjustable Platens, 2 Functions (includes single solenoid valve) ①

PHNH035A1548	3,500	24"	15" x 48"	49.3"	34"-42"	39.4" x 39.8"	7.5"	-	11.3"	8.3"	1,172	II
PHNH045A1548	4,500	24"	15" x 48"	49.3"	34"-42"	39.4" x 39.8"	7.5"	-	11.7"	8.5"	1,177	II
PHNH045B1548	4,500	24"	15" x 48"	49.3"	34"-42"	39.4" x 39.8"	9.4"	-	12.6"	10.1"	1,325	III

Sideshifting with Hydraulically Adjustable Platens, 3 Functions (includes single solenoid valve) ①

PHSH035A1548	3,500	24"	15" x 48"	49.3"	34"-42"	39.4" x 39.8"	7.5"	-	11.3"	8.2"	1,179	II
PHSH045A1548	4,500	24"	15" x 48"	49.3"	34"-42"	39.4" x 39.8"	7.5"	-	11.7"	8.4"	1,183	II
PHSH045B1548	4,500	24"	15" x 48"	49.3"	34"-42"	39.4" x 39.8"	9.4"	-	12.3"	10.0"	1,331	III

① Please specify voltage when ordering.

Mark 55™, Push Pulls, Dedicated

Model	Capacity Lbs.	Load Center	Platen Size	Stroke	Platen Out-to-Out	Push Plate	Thickness	Horizontal Center of Gravity	Vertical Center of Gravity	Weight Lbs.	Mounting Class
	Q	BP	A1 / A2 x L	B	W x H	LL		HCG	VCG	Lbs.	
Non-Sideshifting with Hydraulically Adjustable Outer Platens, 2 Functions											
PHNG035A0748	3,500	24"	7.1" / 3.1" x 48" usable	49.3"	28" - 40"	39.4" x 39.8"	8.3"	9.5"	14.2"	1,133	II
PHNG045A0748	4,500	24"	7.1" / 3.1" x 48" usable	49.3"	28" - 40"	39.4" x 39.8"	8.3"	9.6"	14.4"	1,137	II
PHNG045B0748	4,500	24"	7.1" / 3.1" x 48" usable	49.3"	28" - 40"	39.4" x 39.8"	10.6"	10.2"	14.4"	1,375	III
Sideshifting with Hydraulically Adjustable Outer Platens, 3 Functions											
PHSG035A0748	3,500	24"	7.1" / 3.1" x 48" usable	49.3"	28" - 40"	39.4" x 39.8"	8.3"	9.4"	14.2"	1,137	II
PHSG045A0748	4,500	24"	7.1" / 3.1" x 48" usable	49.3"	28" - 40"	39.4" x 39.8"	8.3"	9.6"	14.4"	1,141	II
PHSG045B0748	4,500	24"	7.1" / 3.1" x 48" usable	49.3"	28" - 40"	39.4" x 39.8"	10.6"	10.2"	14.4"	1,375	III

Notes: (for Easy Rider Fork-Mounted Push Pull only)

- One hydraulic function.
- Pressure relief valve.
- Adjustable bolt-on platens, to fit two different overall widths.
- Important: Easy Rider must be hooked on the carriage and supported by forks of suitable capacity.
- Hydraulic couplers are recommended
- "Easy Rider" push pull must be installed on standard forks to properly support the load and attachment and hooked on the forklift carriage.

Notes: (for Dedicated Push Pull only)

- Various platen sizes.
- Extended push plate widths and heights.
- Bronze pads for sideshift.

Notes: (for Dedicated Mark 55™ Push Pull only)

- Quick disconnect hydraulic couplers.
- Various platen sizes.
- Extended push plate widths and heights.
- Bronze pads for sideshift.



BOLZONI AURAMO INC.

17635 HOFFMAN WAY - HOMEWOOD, ILLINOIS 60430 - USA - Tel. 800-358-5438 - Fax. 708-957-8832

us.bolzonigroup.com

7711 HIGHWAY 278, SULLIGENT, ALABAMA 35586 - USA - Tel. 205 698-1231

sales.us@bolzoni-auramo.com

