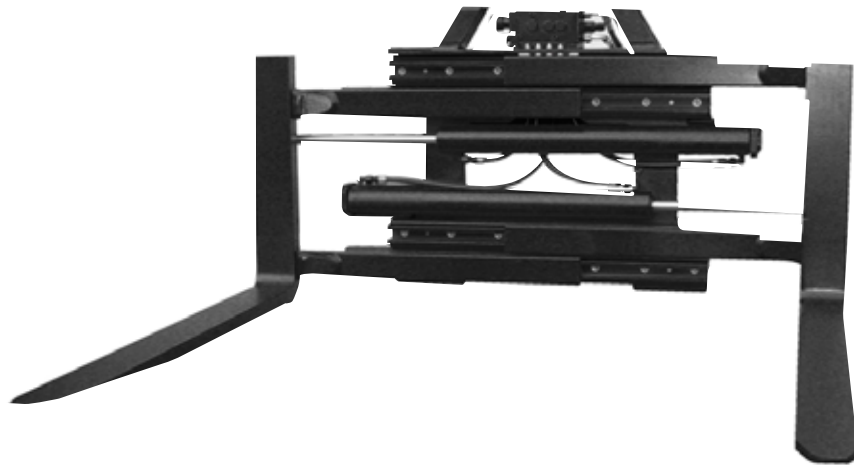


Silver Line Clamps

Models LC



User-friendly, easy to maintain, cost-effective

In today's industries there is a growing demand for handling materials quickly, efficiently and at low cost.

SILVER LINE is a range of reliable and cost-effective clamps suitable for applications in many industries, particularly where lift truck operators require attachments having simple performance and low cost.

The bale clamp and fork clamp ranges include capacities and openings suitable to cover the majority of material handling requirements.



Long life and long service intervals

- Combination of proven and high tensile aluminium profiles with new wear resistant plastic inserts.
- No wear on aluminium profiles.
- Symmetrical borings in aluminium profiles and symmetrical plastic inserts.
- Higher sliding speed with lower grease requirement.

Simple and quick exchange of wear parts

- Plastic bushings inserted from the side without removing clamp arms.
- Aluminium profiles with commercial hexagonal bolts, no special tools required.

Cost-effective: a new clamp at the price of a used one

- High volume production of dedicated range of capacities and openings resulting in manufacturing savings.
- New cost-effective components – such as aluminium profiles, cylinders and wear parts – and optimized manufacturing processes.



Bale Clamp Model LC-G

Commonly used for handling pulp and waste paper bales in the paper industry, as well as for bales of cotton, wool, tobacco, fabrics and other bales materials.

- Robust design for heavy-duty applications. Optimized weight and lost load allow high residual capacity of forklift
- High tensile aluminium profiles, reversible and interchangeable with wear resistant plastic inserts, allow long life and low lifetime cost.
- Adjustable pressure relief for opening/closing for internal hydraulics protection and sideshift function for flexible operation.
- Block valve in the middle for precise arm synchronism.
- Excellent visibility for safe handling.



LC-G Model

Pallet Fork Clamp Model LC-H

Versatile attachment, it can be used to lift all conventional pallets, as fork positioner, or to clamp unpalletised loads.

- Robust design for heavy-duty applications. Optimized weight and lost load allow high residual capacity of forklift.
- High tensile aluminium profiles, reversible and interchangeable with wear resistant plastic inserts, allow long life and low lifetime cost.
- Block valve in the middle for precise arm synchronism.
- Adjustable pressure relief for opening/closing for internal hydraulics protection and sideshift function for flexible operation.
- Excellent visibility for safe handling.



LC-H Model

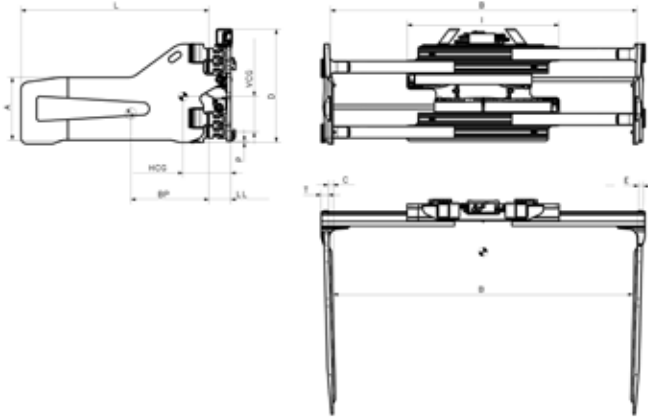
Oil flow rate recommendations

Model	Oil Flow Rate, Clamps		
	Minimum GPM	Recommended GPM	Maximum GPM
LC 14	4	7	9
LC 22	4	7	9
LC 25	4	7	9
LC 28	4	7	9
LC 32	8	12	16

Hydraulic functions and hydraulic pressure recommendations

Model	Clamping Pressure		Hydraulic Functions
	Minimum PSI	Maximum PSI	
LC 14	600	2,300	2
LC 22	650	2,300	2
LC 25	700	2,300	2
LC 28	700	2,300	2
LC 32	700	2,300	2

Bale Clamp - Model LC-G (Sideshifting)



Range: 2,500 - 7,000 Lbs.

- Commonly used for handling pulp bales in the paper industry, as well as for bales of cotton, wool, tobacco, fabrics and other baled materials.
- High tensile aluminium profile.
- Check and pressure adjustment valve.
- Excellent visibility.
- The valve and the cylinder rods are protected in every opening position.
- Reduced weight, effective thickness and center of gravity.

Model	Capacity Lbs. @ 24"		Mounting Class	Frame Width		Opening Range in to in				Arm Dimensions			Minimum Carriage Width	Height	Weight Lbs.	Effective Thickness	Horizontal Center of Gravity	Vertical Center of Gravity	Arms Toe-in	Ground Clearance
	Q			I	B min	B max	A	L	E	T	FL	D								
LC 14 G4A	2,500		II	36.6"	22.8"	71.5"	15.7"	39.4"	1.1"	1.8"	27.1"	28.1"	860	4.6"	10.4"	9.1"	1.0"	0.6"		
LC 22 G4A	4,000		II	38.1"	25.1"	77.5"	15.7"	39.4"	1.1"	1.8"	27.1"	28.4"	992	5.5"	9.9"	9.2"	1.0"	0.7"		
LC 22 G6A	4,000		II	38.1"	25.1"	77.5"	15.7"	47.2"	1.1"	1.8"	27.1"	28.4"	1,050	5.5"	11.9"	8.9"	1.2"	0.7"		
LC 32 G8B-55.9W	7,000		III	55.9"	25.2"	93.3"	17.7"	59.0"	1.7"	2.9"	37.5"	35.7"	2,200	6.7"	14.3"	11.1"	1.0"	0.9"		

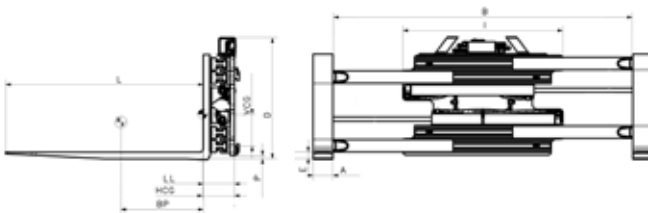
Notes:

- Two hydraulic functions.
- E= arm thickness, without rib.
- T= arm thickness at the arm base, without rib.
- Pressure gauge.
- Arms welded directly to the guides.
- Check valve.
- Integral sideshift.

Options:

- Connection hose kit.

Pallet Fork Clamp - Model LC-H (Sideshifting)



Range: 2,500 - 5,000 Lbs.

- High tensile aluminium profile.
- Reduced weight, effective thickness and center of gravity.
- Excellent visibility.
- Forks welded to the arm carriers.

Model	Capacity Lbs. @ 24"		Mounting Class	Frame Width		Opening Range in to in			Fork Dimensions			Minimum Carriage Width	Height	Weight Lbs.	Effective Thickness	Horizontal Center of Gravity	Vertical Center of Gravity	Ground Clearance
	Q1	Q2		I	B min - B max	L	A	E	FL	D	W							
LC 14 H6A	2,500	3,600	II	36.6"	18.5" - 66.9"	47.2"	4.0"	1.5"	27.1"	28.6"	680	6.6"	7.4"	7.7"	0.7"			
LC 22 H6A	4,000	4,500	II	38.1"	18.5" - 70.8"	47.2"	5.0"	1.5"	27.1"	28.8"	880	7.4"	7.8"	7.5"	0.7"			
LC 28 H6B-K	5,000	7,000	III	43.3"	18.5" - 75.9"	47.2"	5.0"	2.0"	28.3"	32.5"	1,040	7.8"	8.4"	9.0"	0.8"			

Notes:

- Two hydraulic functions.
- Q1 = capacity when clamping.
- Q2 = capacity on the forks.
- Check valve.
- Pressure gauge.
- Forks welded to the arm carriers.
- Integral sideshift.

Options:

- Connection hose kit.



BOLZONI AURAMO CANADA LTD.
 90C BRUNSWICK BLVD DOLLARD-DES-ORMEAUX,
 QUEBEC
 H9B 2C5 CANADA
 Tel. 800-685-7871 - Fax 514-685-5238

www.bolzonigroup.com

BOLZONI AURAMO CANADA LTD.
 889 PANTERA DRIVE UNIT #6 MISSISSAUGA
 ONTARIO
 L4W 2R9 CANADA
 Tel. 800-685-7871

sales.ca@bolzoni-auramo.com

