

Fork Positioners

Models KB-KS



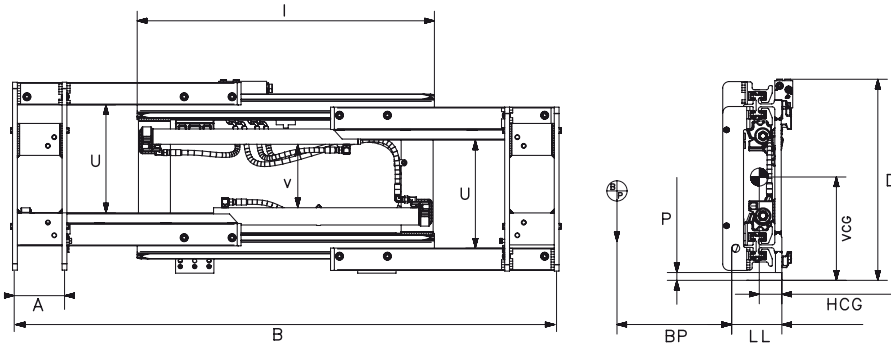
The Bolzoni wide opening fork positioner KS model allows to position the forks beyond the forklift width, to handle very wide loads. This attachment grants optimized productivity thanks to the safest handling of small, medium and extra-large loads. Possibility to handle Euro pallets from the narrow side.

The Bolzoni wide opening fork positioners are available in a wide range of capacities and options, representing the solution to the most various handling needs.

Features:

- Very rigid frame structure with single piece double “T” profile. Wide visibility window thanks to new vertical plates position at the extremity of the frame. Narrow vertical plates.
- Superior visibility through the frame grants safe and easy handling operations.
- Possibility to use standard FEM forks without any modifications.
- New check valve for simple and precise arm synchronism, easy fitting, new position in the upper profile shadow granting valve protection and high visibility of the structure.
- New fixing system of the sliding pads to relief stress.
- New self-aligning cylinder fixing to avoid breakage.
- New separate side shift: cylinder position within the frame window to improve side shifting system. Upper and lower pads with greasers.
- Available also in non-side shift version – KB model.





Range: 1400 Kg - 5000 Kg

- Safe handling of small, medium and extra-large loads.
- Possibility to use standard FEM forks without any modifications.
- Synchronized fork movement.
- Excellent visibility.
- Models KB - non-sideshifting.
- Models KS - separate sideshift, stroke 100 + 100 mm. For models having frame width 870 mm, the stroke is 70 + 70 mm.

Model	Capacity	Load Centre	Opening Range	Frame Width	Height	Weight	Horizontal Centre of Gravity	Vertical Centre of Gravity	Effective Thickness	Fork Width	Minimum Carriage Width	Central Visibility	Side Visibility	Ground Clearance	Mounting Class
	Q kg	BP mm	B mm	I mm	D mm	W Kg	HCG mm	VCG mm	LL mm	A mm	FL mm	V mm	U mm	P mm	ISO 2328
Non-sideshifting															
KB14YNKA	1.400	500	560-1.620	870	629	170	72	323	157	80-100-120	750	190	337	24	2 A
KB14YKA	1.400	500	560-1.680	930	629	190	71	323	157	80-100-120	690	190	337	24	2 A
KB14YKEA	1.400	500	550-2.100	1.370	629	220	72	323	157	80-100-120	750	190	337	24	2 A
KB20YKCA	2.000	500	390-1.160	750	629	145	72	323	157	80-100-120	690	190	337	24	2 A
KB20YNKA	2.000	500	560-1.620	870	629	170	72	323	157	80-100-120	750	190	337	24	2 A
KB20YKA	2.000	500	560-1.680	930	629	190	71	323	157	80-100-120	690	190	337	24	2 A
KB20YKDA	2.000	500	560-1.910	1.160	629	202	71	323	157	80-100-120	690	190	337	24	2 A
KB20YKEA	2.000	500	550-2.100	1.370	629	220	72	323	157	80-100-120	750	190	337	24	2 A
KB25YKA	2.500	500	560-1.680	930	627	193	75	322	157	80-100-120	690	185	336	25	2 A
KB25YNKA	2.500	500	560-1.620	870	627	170	72	322	157	80-100-120	750	185	336	25	2 A
KB25YKDA	2.500	500	510-1.910	1.260	627	236	72	322	157	80-100-120	690	185	336	25	2 A
KB25YKEA	2.500	500	550-2.100	1.370	627	246	72	322	157	80-100-120	750	185	336	25	2 A
KB28YKB	2.800	500	560-1.720	970	733	233	86	381	182	100-120-150	690	277	428	18	3 A
KB28YKCB	2.800	500	560-1.950	1.200	733	270	86	381	182	100-120-150	690	277	428	18	3 A
KB28YKDB	2.800	500	550-2.100	1.370	733	305	86	381	182	100-120-150	750	277	428	18	3 A
KB28YKGB	2.800	500	520-2.360	1.690	733	331	86	381	182	100-120-150	990	277	428	10	3 A
KB38YKB	3.800	500	560-1.950	1.200	733	279	70	368	182	100-120-150	690	277	428	18	3 A
KB38YKGB	3.800	500	520-2.360	1.690	733	365	70	385	182	100-120-150	1.090	277	428	18	3 A
KB50YKB	4.900	500	560-1.810	1.150	715	434	140	249	207	130-150	950	210	230	20	3 A
KB50YKNB	5.000	500	580-2.120	1.420	715	490	138	249	207	130-150	950	210	230	20	3 A
KB50YKC	5.000	600	560-1.810	1.150	920	520	97	249	218	150-200	1.005	210	230	20	4 A
KB50YKNC	5.000	600	540-2.040	1.420	920	590	97	249	218	150-200	1.005	210	230	20	4 A
Sideshifting															
KS14YNKA	1.400	500	570-1.620	870	629	197	92	322	180	80-100-120	920	190	337	24	2 A
KS14YKA	1.400	500	560-1.680	930	629	200	93	322	189	80-100-120	920	190	337	24	2 A
KS14YKEA	1.400	500	550-2.100	1.370	629	247	95	322	189	80-100-120	920	190	337	24	2 A
KS20YNKA	2.000	500	560-1.620	870	629	197	92	322	189	80-100-120	920	190	337	24	2 A
KS20YKA	2.000	500	560-1.680	930	629	200	93	322	189	80-100-120	920	190	337	24	2 A
KS20YKDA	2.000	500	560-1.910	1.160	629	226	95	322	189	80-100-120	920	190	337	24	2 A
KS20YKEA	2.000	500	550-2.100	1.370	629	247	95	322	189	80-100-120	920	190	337	24	2 A
KS25YKA	2.500	500	560-1.680	930	627	212	98	320	189	80-100-120	920	185	336	25	2 A
KS25YNKA	2.500	500	560-1.620	870	627	197	92	320	189	80-100-120	920	185	336	25	2 A
KS25YKDA	2.500	500	510-1.910	1.260	627	236	92	320	189	80-100-120	920	185	336	25	2 A
KS25YKEA	2.500	500	550-2.100	1.370	627	247	95	320	189	80-100-120	920	185	336	25	2 A
KS28YKB	2.800	500	560-1.720	970	733	268	113	373	224	100-120-150	970	277	428	18	3 A
KS28YKCB	2.800	500	560-1.950	1.200	733	300	108	381	224	100-120-150	970	277	428	18	3 A
KS28YKDB	2.800	500	550-2.100	1.370	733	335	107	381	224	100-120-150	970	277	428	18	3 A
KS28YKGB	2.800	500	520-2.360	1.690	733	454	95	381	224	100-120-150	1.270	277	428	10	3 A
KS38YKB	3.800	500	560-1.950	1.200	733	320	112	368	224	100-120-150	970	277	428	18	3 A
KS38YKGB	3.800	500	520-2.360	1.690	733	460	102	368	224	100-120-150	1.270	277	428	18	3 A
KS50YKB	4.900	500	560-1.810	1.150	715	500	130	282	250	130-150	1.000	210	230	20	3 A
KS50YKNB	5.000	500	580-2.120	1.420	715	560	128	282	255	130-150	1.150	210	230	20	3 A
KS50YKC	5.000	600	560-1.810	1.150	920	610	118	282	260	150-200	1.200	210	230	20	4 A
KS50YKNC	5.000	600	540-2.040	1.420	920	680	118	282	260	150-200	1.120	210	230	20	4 A

Notes:

- One hydraulic function for KB models and two hydraulic functions for KS models.
- Pressure relief valve.

Options:

- Load backrest.

