

**KEEP
IT
SIMPLE**

SILVERLINE

The competitive lift truck attachments range.



SILVER LINE

The SILVER LINE attachments range includes technical features suitable to cover the majority of material handling requirements.

Index

3 The heavy duty range

4 Technical Features

5 Bale Clamps - Models LC-G

6 Pallet Fork Clamps - Model LC-H

7 360° Rotating Pallet Fork Clamps - Models LGC-H

8 Carton Clamps - Model LC-C

9 Paper Roll Clamps - Model AMX-RF / AMX-RH

10 Multipurpose Clamps - Model LC-U

11 Oil flow rate / Hydraulic recommendations



SILVER LINE is a range of reliable and cost-effective clamps suitable for applications in many industries, particularly where lift truck operators require attachments having high performance and low cost.

As complement of the already extensive range forklift truck attachments, this second range is able to cover the majority of the market requirements with less than 20 short-listed models. First introduced in 2015, the range has now been expanded to include more parallel clamp models. Suitable for safe, efficient and damage-free handling of all types of loads, this range is designed for heavy duty applications, with a tight budget.

Competitive Cost. High Quality. Prompt Delivery. 3 Years Warranty.



Cost effective:

A new clamp at the price of a second hand, or refurbished attachment. High volume production of dedicated range of capacities and openings resulting in manufacturing savings. New cost-effective components – such as aluminium profiles, cylinders and wear parts – and optimized manufacturing processes.



Robust Design:

Robust frame design for heavy-duty applications.



Short lead time:

Attachments are ready from the shelf, in centralised European stocks.



Ideal for Rental Fleet

and for any rental business. In facts, this range is ideal for short usage attachment needs, in order to optimize the return on investment or to reduce the Total Cost of Ownership.



36 months warranty:

The SILVER LINE attachments range is included into the new extended 3 years warranty program (36 months guarantee period, or 6000 work hours, whichever comes first).

Technical Features

Long life and long service intervals

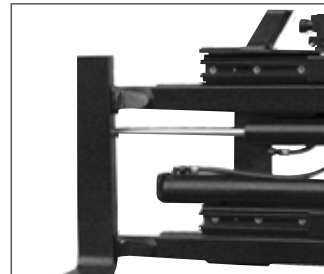
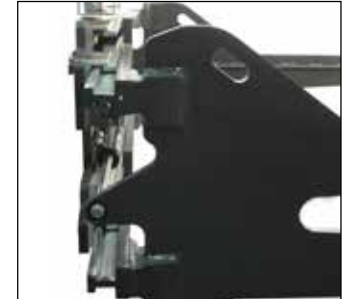
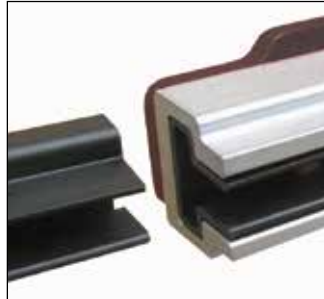
- Combination of proven and high tensile aluminium profiles with new wear resistant plastic inserts.
- No wear on aluminium profiles.
- Symmetrical borings in aluminium profiles and symmetrical plastic inserts.
- Higher sliding speed with lower grease requirement.

Simple and quick exchange of wear parts

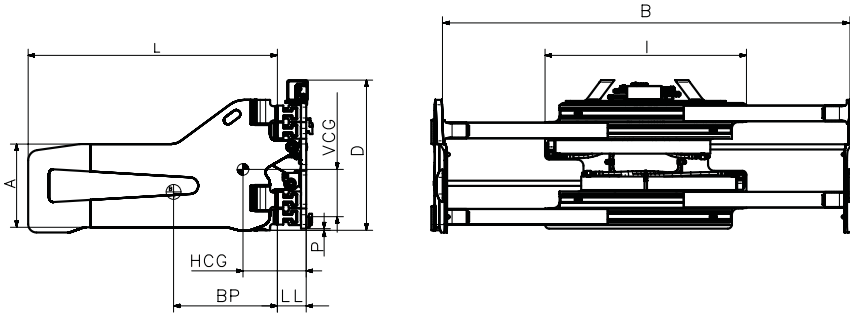
- Plastic bushings inserted from the side without removing clamp arms.
- Aluminium profiles with commercial hexagonal bolts, no special tools required.

Affordable: a new attachment for the price of a used one

- High production volumes and a dedicated range of capacities and openings with considerable production savings.
- New cost-effective components - such as aluminium profiles, cylinders and wear components - and optimised production processes.



Models LC-G (Sideshifting)



Range: 1400 - 3200 Kg

- Commonly used for handling pulp bales in the paper industry, as well as for bales of cotton, wool, tobacco, fabrics and other baled materials.
- Robust design for heavy-duty applications.
- High tensile aluminium profiles, reversible and interchangeable with wear resistant plastic inserts, allow long life and low lifetime cost.
- Block valve in the middle for precise arm synchronism.
- Excellent visibility.
- The valve and the cylinder rods are protected in every opening position.
- Optimized weight, effective thickness and center of gravity. Optimized weight, effective thickness and center of gravity.

Model	Code	Capacity kg	Load center BP mm	Opening Range B mm	Arm Dimensions L x A x E x T mm	Frame Width I mm	Min. Carriage Width FL mm	Height D mm	Weight W kg	Horizontal Center of Gravity HCG mm	Vertical Center of Gravity VCG mm	Effective Thickness LL mm	Ground Clearance P mm	Arms Toe-in C mm	Mounting Class ISO 2328
LC 14 G6A	58-181	1.400	500	580-1.810	1.200x400x30x45	930	690	716	418	322	225	117	6	30	2A
LC 22 G6A	64-197	2.200	500	640-1.970	1.200x400x30x45	970	690	722	478	304	227	139	8	30	2A
LC 22 G6A	47-176	2.200	500	470-1.760	1.200x400x30x45	1.100	690	722	487	298	228	139	8	30	2A
LC 28 G6B	64-197	2.800	500	640-1.970	1.200x400x40x47	1.020	720	815	560	327	251	132	10	12	3A
LC 32 G8B	64-237	3.200	600	640-2.370	1.500x450x45x75	1.420	955	907	1.000	363	283	169	10	26	3A

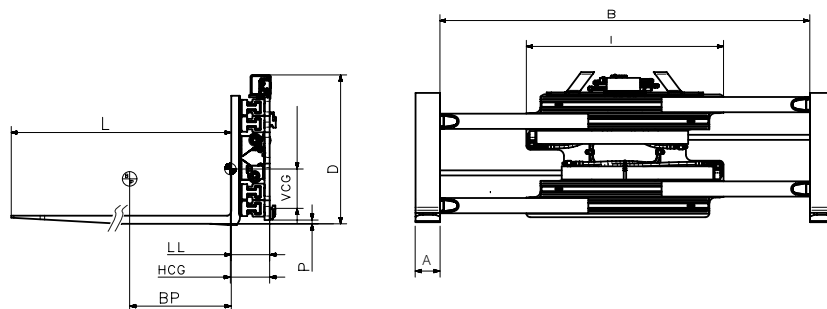
Notes:

- Two hydraulic functions.
- E= arm thickness at tip, without rib.
- T= arm thickness at base, without rib.
- Arms welded directly to the guides.
- Check valve and pressure adjustment valve
- Integral sideshift.

Options:

- Connection hose kit.
- Cylinder protection
- Valve protection.

Model LC-H (Sideshifting)



Range: 1400 - 2800 Kg

- Versatile attachment, it can be used to lift all conventional pallets, as fork positioner, or to clamp unpalletised loads.
- Robust design for heavy-duty applications.
- High tensile aluminium profiles, reversible and interchangeable with wear resistant plastic inserts, allow long life and low lifetime cost.
- Excellent visibility.
- Block valve in the middle for precise arm synchronism.
- The valve and the cylinder rods are protected in every opening position.
- Optimized weight, effective thickness and center of gravity.

Model	Code	Capacity	Load Centre	Opening Range	Fork Dimensions	Frame Width	Min. Carriage Width	Height	Weight	Horizontal Center of Gravity	Vertical Center of Gravity	Effective Thickness	Ground Clearance	Mounting Class
		Q1 / Q2 kg	BP mm	B mm	L x A x E mm	I mm	FL mm	D mm	W kg	HCG mm	VCG mm	LL mm	P mm	ISO 2328
LC 14 H6A EU	35-158	1.400/2.000	500	350 - 1.580	1.200x100x40	1.050	690	728	321	181	197	167	18	2A
LC 22 H6A EU	32-161	2.200/2.500	500	320 - 1.610	1.200x120x40	1.100	690	732	392	190	196	188	18	2A
LC 28 H6B EU	32-161	2.800/3.500	500	320 - 1.610	1.200x120x45	1.100	720	827	473	185	239	189	21	3A

Notes:

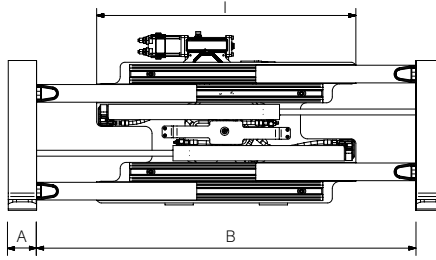
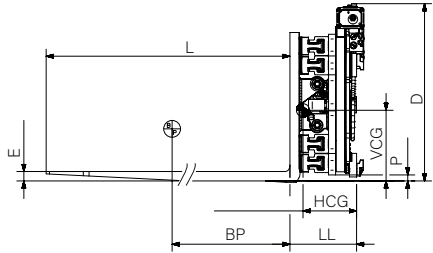
- Two hydraulic functions.
- Q1 = capacity when clamping.
- Q2 = capacity on the forks.
- Check and pressure adjustment valve.
- Forks welded to the arm carriers.
- Integral sideshift.

Options:

- Connection hose kit.
- Valve protection.

Models LGC-H

Range: 1400 - 2800 Kg



- Versatile attachment, it can be used to lift all conventional pallets, as fork positioner, or to rotate containers or boxes.
- Robust design for heavy-duty applications.
- 360° continuous rotation in both direction
- High tensile aluminium profiles, reversible and interchangeable with wear resistant plastic inserts, allow long life and low lifetime cost.
- Excellent visibility.
- Block valve in the middle for precise arm synchronism.
- The valve and the cylinder rods are protected in every opening position.
- Optimized weight, effective thickness and center of gravity.

Model	Code	Capacity	Load Centre	Opening Range	Fork Dimensions	Frame Width	Min. Carriage Width	Height	Weight	Horizontal Center of Gravity	Vertical Center of Gravity	Effective Thickness	Ground Clearance	Mounting Class
		Q1 / Q2 kg	BP mm	B mm	L x A x E mm	I mm	FL mm	D mm	W kg	HCG mm	VCG mm	LL mm	P mm	ISO 2328
LGC 14 H6A EU	35-158	1.400/2.000	500	350-1.580	1.200x100x40	1.050	580	752	435	215	239	261	18	2A
LGC 22 H6A EU	32-161	2.200/2.500	500	320-1.610	1.200x120x40	1.100	580	752	520	225	233	283	18	2A
LGC 28 H6B EU	32-161	2.800/3.500	500	320-1.610	1.200x120x45	1.100	870	877	623	221	321	298	21	3A

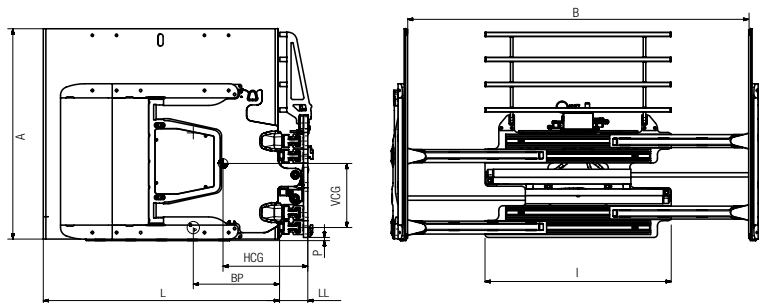
Notes:

- Two hydraulic functions.
- Q1 = capacity when clamping without rotation; or when rotating without clamping.
- Q2 = capacity on the forks.
- Check and pressure adjustment valve.
- Forks welded to the arm carriers.
- Valve protection plate (as in the drawing): included

Options:

- Connection hose kit.
- Motor protection.

Model LC-C (Sideshifting)



Range: 1200 - 1600Kg

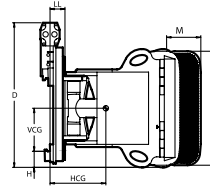
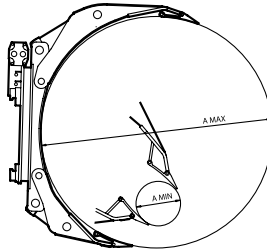
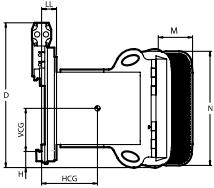
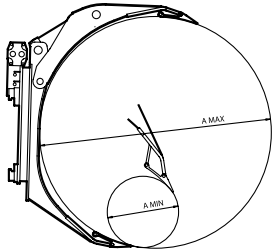
- Large surface aluminium pads.
- Single oscillating pad.
- Special high-friction vulcanized rubber lining for increased positive grip allowing safe and damage-free handling.
- Interchangeable left-right, up-down pads for more even rubber wear.
- Thin arm profile and new elbow support design allow easy knifing between loads.
- Robust design for heavy-duty applications.
- High tensile aluminium profiles allowing long life and low lifetime cost.
- Excellent visibility.
- Block valve in the middle for precise arm synchronism.
- Optimized weight, effective thickness and center of gravity

Model	Code	Capacity			Load Centre		Opening range	Arm Dimensions	Frame Width	Min. Carriage Width	Weight	Horizontal Center of Gravity	Vertical Center of Gravity	Effective Thickness	Ground Clearance	Mounting Class
		Q kg	BP mm	B mm	L x A mm	I mm	FL mm	W kg	HCG mm	VCG mm	LL mm	P mm	ISO 2328			
LC 12 C5A	54-197	1.200	610	540-1.970	1.220x1.220	1.100	690	763	407	370	164	26	2A			
LC 16 C7A	57-228	1.600	685	570-2.280	1.370x1.220	1.370	690	866	439	356	164	26	2A			

Notes:

- Two hydraulic functions.
- Arm thickness, including rubber, 57mm.
- Arm thickness at base, including rubber, 92mm for all models.
- Load backrest.
- Pressure relief valve.
- Flow divider.
- Integral sideshift.

Model AMX-RF / AMX-RH



AMX-RF

AMX-RH

Range: 1300 - 2100 Kg

- 360-degree rotating paper roll clamp for vertical and horizontal handling of single rolls.
- Pivoting long arm movement.
- Models AMX-RF: Fixed short arm.
- Models AMX-RH: Hydraulically positionable short arm with wider roll diameter range.
- Mounting angle 1,5°.

Model	Capacity	Load Centre	Roll Range	Height	Weight	Horizontal Centre of Gravity	Vertical Centre of Gravity	Effective Thickness	Contact Pads	Contact Pad Gap	Mounting Height	Mounting Class
	Q kg	BP mm	A mm	D mm	W Kg	HCG mm	VCG mm	LL mm	M x N mm	O mm	H mm	ISO 2328

Fixed short arm

AMX-13RF-11	1.400	575	300 - 1.150	780	350	230	265	146	200 x 680	-	110	2 A
AMX-13RF-13	1.300	650	400 - 1.300	780	370	245	265	146	200 x 680	-	110	2 A
AMX-18RF-13-2A	1.800	650	400 - 1.300	780	440	255	265	160	200 x 680	-	110	2 A
AMX-18RF-13-3A	1.800	650	400 - 1.300	780	465	270	305	190	200 x 680	-	67	3 A
AMX-21RF-13-2A	2.100	675	550 - 1.350	780	465	290	265	172	200 x 680	-	110	2 A
AMX-21RF-13-3A	2.100	675	550 - 1.350	780	490	320	305	202	200 x 680	-	67	3 A

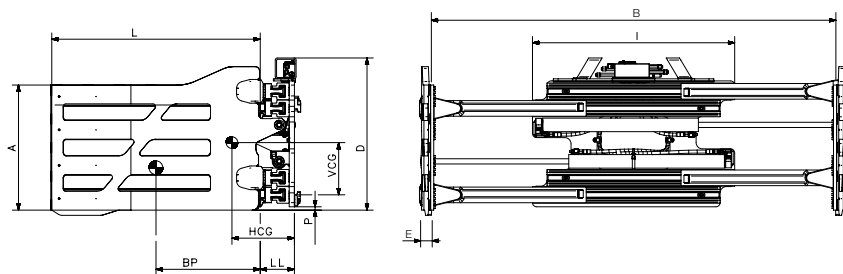
Positionable short arm

AMX-13RH-13	1.300	650	250 - 1.300	780	420	245	265	146	200 x 680	-	110	2 A
AMX-18RH-13-2A	1.800	650	250 - 1.300	780	490	255	265	160	200 x 680	-	110	2 A
AMX-18RH-13-3A	1.800	650	250 - 1.300	780	515	270	305	190	200 x 680	-	67	3 A
AMX-21RH-13-2A	2.100	675	380 - 1.350	780	525	270	265	172	200 x 680	-	110	2 A
AMX-21RH-13-3A	2.100	675	380 - 1.350	780	550	285	305	202	200 x 680	-	67	3 A

Notes:

- Two hydraulic functions.
- Cast pad with high-friction surface.
- 360-degree rotator.

Model LC-U (Sideshifting)



Range: 1400 - 1800 Kg

- For the handling of unpalletized loads.
- Bolted replaceable rubber stripes.
- Safe gripping of the load with rubber, even at reduced clamping pressures.
- Robust design for heavy-duty applications.
- High tensile aluminium profiles, reversible and interchangeable with wear resistant plastic inserts, allow long life and low lifetime cost.
- Excellent visibility.
- Block valve in the middle for precise arm synchronism.
- The valve and the cylinder rods are protected in every opening position.
- Optimized weight, effective thickness and center of gravity.

Model	Capacity	Load Centre	Opening Range	Arm Dimensions	Frame Width	Min. Carriage Width	Height	Weight	Horizontal Center of Gravity	Vertical Center of Gravity	Effective Thickness	Ground Clearance	Mounting Class
	Q kg	BP mm	B mm	L x A x E x T mm	I mm	FL mm	D mm	W kg	HCG mm	VCG mm	LL mm	P mm	ISO 2328
LC 14 U6A	1.400	500	550-1.780	1.200x400x42-62	930	750	724	406	318	224	142	14	2A
LC 18 U6A	1.800	500	610-1.940	1.200x400x47-62	970	750	730	478	316	223	164	16	2A
LC 18 U6NA	1.800	500	440-1.730	1.200x400x47-62	1.100	750	730	502	311	224	164	16	2A

Notes:

- Two hydraulic functions required.
- E= arm thickness at tip with rubber.
- T= arm thickness at base with rubber.
- Check valve with power regeneration hydraulic circuit.
- Pressure relief valve.
- Arms welded to the guides.
- Replaceable rubber facing.
- Integral sideshift

Oil flow rate recommendations / Hydraulic functions and hydraulic pressure recommendations

Model	Oil Flow Rate, Clamp			Oil Flow Rate, Sideshift			Clamping Pressure		Distributor Pressure	Sideshifting Pressure		Distributor Pressure	Hydraulic Functions n.
	Minimum l/min	Recommended l/min	Maximum l/min	Minimum l/min	Recommended l/min	Maximum l/min	Minimum MPa	Maximum MPa	Maximum MPa	Minimum MPa	Maximum MPa	Maximum Mpa	
Non-Rotating													
LC 12	15	25	35	15	25	35	4,0	12,0	23,0	12,0	22,0	25,0	2
LC 14	15	25	35	15	25	35	4,0	16,0	23,0	12,0	22,0	25,0	2
LC 16	15	25	35	15	25	35	4,5	16,0	23,0	12,0	22,0	25,0	2
LC 22	15	25	35	15	25	35	4,5	16,0	23,0	12,0	22,0	25,0	2
LC 28	15	25	35	15	25	35	5,0	16,0	23,0	12,0	22,0	25,0	2
LC 32	30	45	60	30	45	60	5,0	16,0	23,0	12,0	22,0	25,0	2

Model	Oil Flow Rate, Clamp			Oil Flow Rate, Rotator			Clamping Pressure		Clamping Connection Pressure	Rotation Pressure		Rotation Connection Pressure	Hydraulic Functions n.
	Minimum l/min	Recommended l/min	Maximum l/min	Minimum l/min	Recommended l/min	Maximum l/min	Minimum MPa	Maximum MPa	Maximum MPa	Minimum MPa	Maximum MPa	Maximum Mpa	
Rotating													
AMX - AMRX	20	35	40	20	35	40	x	16,0	16,0	10,0	12,0	18,0	2
LGC 14	15	25	35	15	25	40	4,0	16,0	23,0	10,0	12,0	25,0	2
LGC 22	15	25	35	25	35	40	4,5	16,0	23,0	10,0	12,0	25,0	2
LGC 28	15	25	35	35	60	75	5,0	15,0	23,0	10,0	12,0	25,0	2



◀ Our Contact

BOLZONI S.p.A. Headquarters

via I Maggio, 103 - 29027 Casoni di Podenzano
Piacenza - Italy

Tel: +39-0523-55-55-11

sales@bolzonigroup.com

en.bolzonigroup.com/silverline

BOLZONI 

G R O U P